

HPV SERIES

HYDRAULIC PILOT CONTROLS



HYDRAULIC PILOT CONTROL

HPV Pilot Control Valves are part of the comprehensive range of David Brown Hydraulics product.

The product, with its single lever dual axis control, and supported by an extensive range of control curve characteristics and handle options, makes it suitable for a wide range of both mobile and industrial applications.

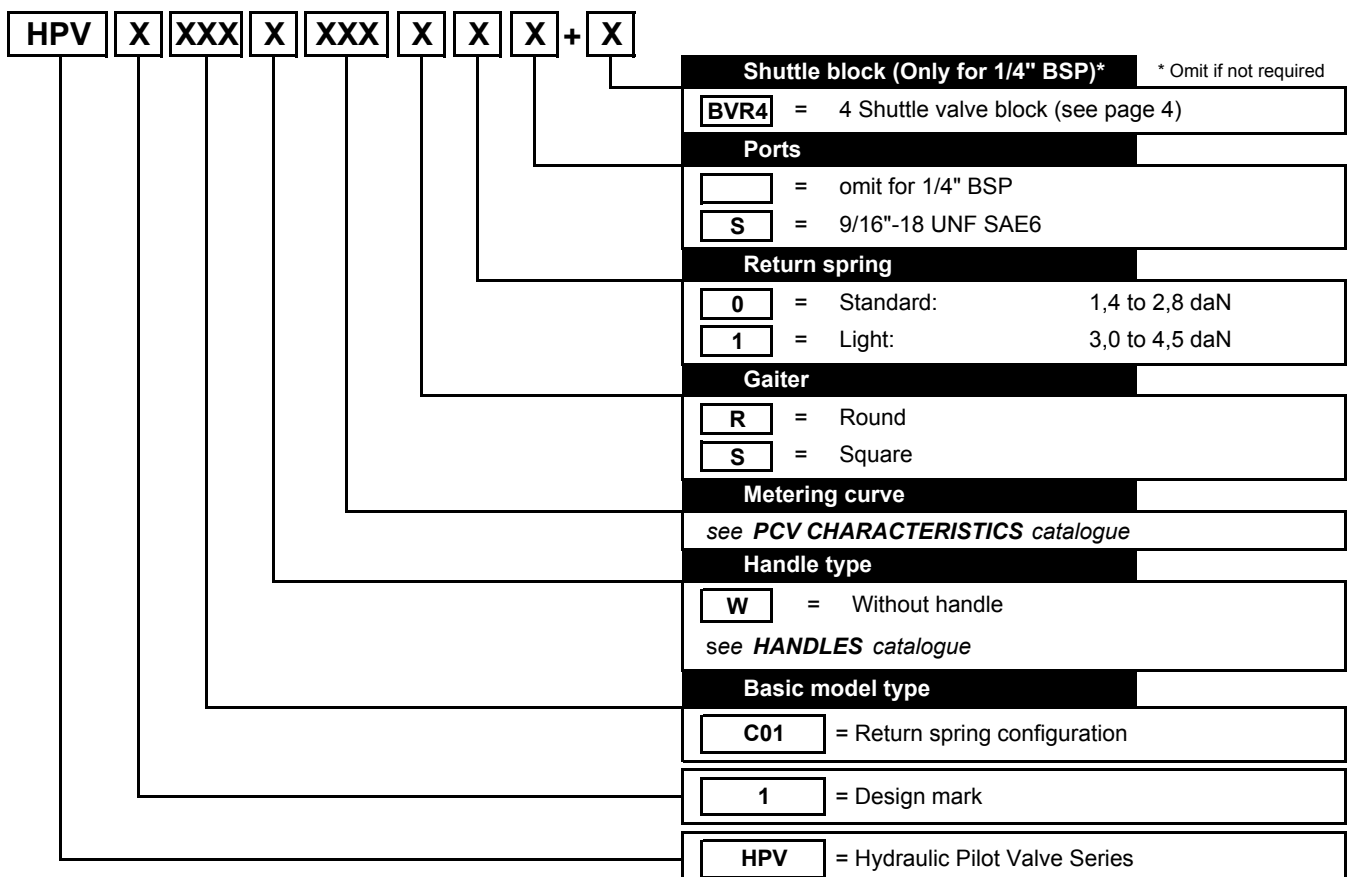
Our engineers can offer specialist support to optimise this product to suit your application. The product is supported by a comprehensive Sales and Service facility around the world.

BENEFITS

- Compact and light weight
- All ports on bottom face for ease of installation
- Suitable for arm rest of console mounting
- Compatible with a wide range of product
- Stylish good looks suitable for modern cabs
- Operator is insulated from high temperature components
- Proven, simple pressure reducing elements
- Wide range of low hysteresis, high accuracy, pressure control curves
- Wide range of electrical options in both standard and multi-functional ergonomic handles
- Low effort lever control

David Brown Hydraulics reserve the right to update the information and data contained in this catalogue at any time.

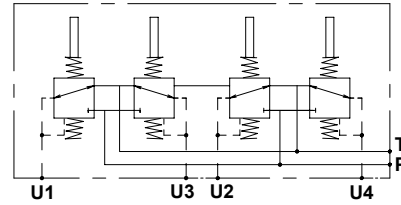
HPV SERIES MODEL CODING



TECHNICAL DATA

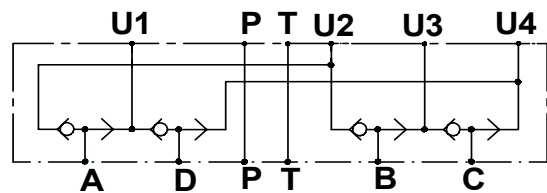
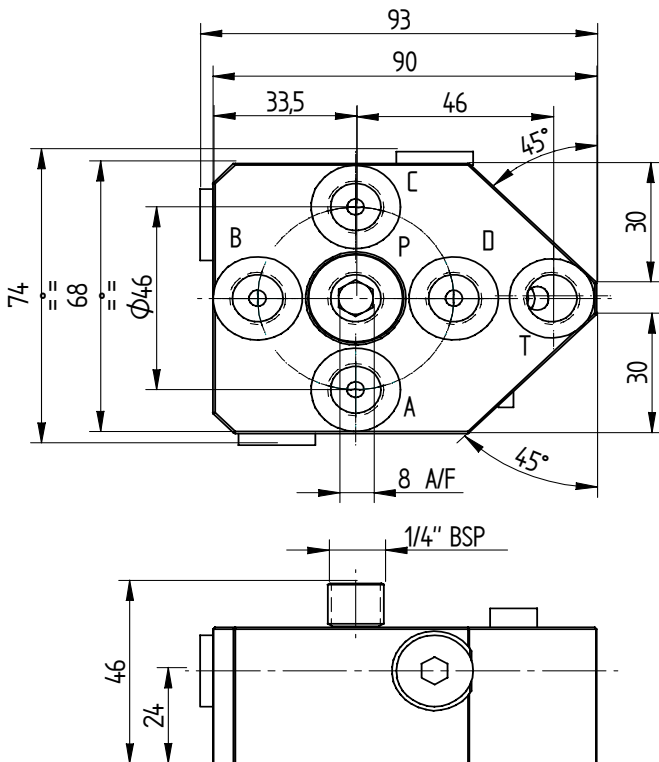
Service ports	: P, T, U1, U2, U3, U4; 1/4" BSP
Maximum inlet pressure	: Port P - 50 bar
Maximum back pressure	: Port T - 3 bar
Supply flow range	: from 5 up to 20 litres/minute
Maximum Hysteresis	: +/- 0.5 bar
Fluid	: Mineral Oils ISO, HM and HV
Contamination class	: 21/16/13 ISO 4406/1999
Fluid temperature range	: from -20 up to +80°C

HYDRAULIC CIRCUIT DIAGRAM

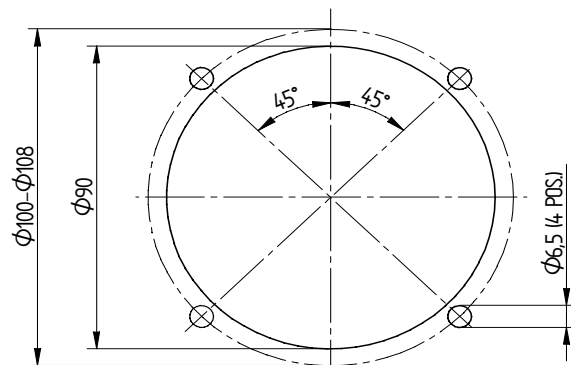


BVR4 SHUTTLE BLOCK

HYDRAULIC CIRCUIT DIAGRAM



TYPICAL INSTALLATION DIMENSION



Global Hydraulics combines the businesses of David Brown Hydraulics, Hydreco, and Powauto and supports worldwide customers with application expertise and famously reliable products.

The Global Hydraulics range includes pumps, motors, valves, pilot valves and power take offs to provide transport and mobile hydraulic solutions to customers seeking reliability combined with advanced performance. For assistance see contact information below.



CONTACT INFORMATION

AUSTRALIA

David Brown Engineering & Hydraulics Pty Ltd
Unit 1A/167 Prospect Highway
Seven Hills,
NSW, 2147
Tel: +61 2 9838 6800
Fax: +61 2 9838 6899
E-mail: sales@powauto.com.au

DANMARK

David Brown Hydraulics Danmark A/S
Fuglebaekvej 3d
DK-2770 Kastrup
Tel: +45 32 51 40 15
Fax: +45 32 51 20 22
E-mail: david-brown@david-brown.dk

FINLAND

David Brown Hydraulics OY
Vanha talvitie 3C
FI-00580 Helsinki
Tel: +358 9 3424 120
Fax: +358 9 3424 1236
E-mail: sales@davidbrownhydraulics.fi

DEUTSCHLAND

David Brown Hydraulics Deutschland GmbH
c/o Benzler TBA BV, Jackthavenweg 2
NL-5928 NT Venlo
The Netherlands
Tel: +31 77 32020 95
Fax: +31 77 32459 01
E-mail: davidbrown@t-online.de

ITALIA

David Brown Hydraulics Italia S.r.l.
Via del Costruttore, 64
41058 Vignola - MO
Tel: +39 059 7700411
Fax: +39 059 7700425
E-mail: dbitalia@dbhsl.com

NORWAY

David Brown Benzlers AS
Stromsveien 312
Postboks 73 Leirdal
Oslo 1008
Tel: +47 22 90 94 10
Fax: +47 22 90 94 11
E-mail: post@dbhsl.com

USA

Hydreco Inc.
1500 Continental Blvd Ste Z
Charlotte
NC 28273-6376
Tel: +1 704-295-7575
Fax: +1 704-295-7574
E-mail: sales@hydreco.com

UK

David Brown Hydraulic Systems Limited
32 Factory Road
Poole
Dorset
BH16 5SL
Tel: +44 (0) 1202 627500
Fax: +44 (0) 1202 627555
E-mail: info@dbhsl.com

WEBSITES

David Brown Hydraulics:
www.davidbrownhydraulics.com

Hydreco:
www.hydreco.com

Powauto:
www.powauto.com.au