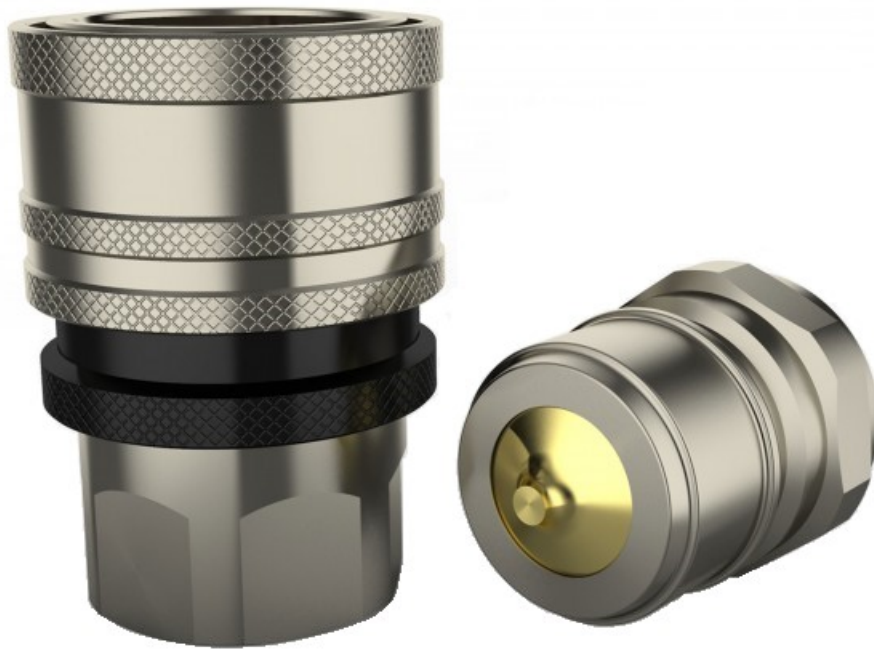


Technical Data Sheet



HPC SERIES HYDRAULIC COUPLINGS

Designed for the speedy and efficient connection of hydraulic hoses where equipment is interchanged, Hydreco quick release couplings offer the best solution for the transport industry.

Available in sizes from 1/4" to 1", Hydreco quick release couplings provide self-sealing hose ends or pressure eliminator/CURP (connection under residual pressure) options to prevent oil loss and ease of engagement.

Interchanges with:
TEMA T series
CEJN 525 series

Product Features

- **High Pressure Capacity**
Compatible with all truck applications.
- **Low Pressure Drop**
Optimum power transmission and less heat generation.
- **Safety Lock Ring**
Prevents unintentional disconnection.
- **Pressure Eliminator (CURP)**
Relieves any pressure built up in lines (due to heat) for easy re-connection of coupling.
- **Double "O" Ring Seal**
Provides leak proof seal at high pressures.

POWAUTO

DAVID BROWN
HYDRAULICS

HYDRECO®

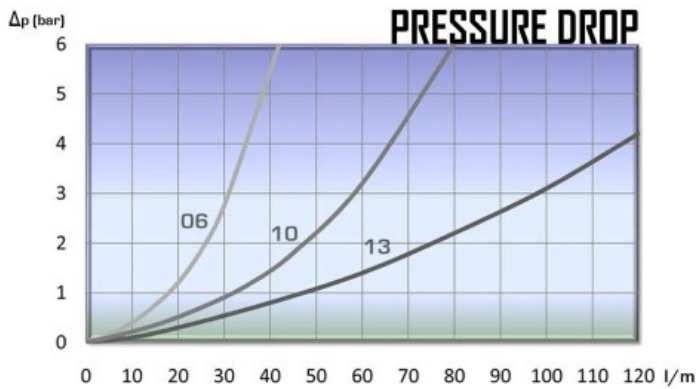
HYDRECO
POWAUTO

ADVANCED HYDRAULIC TECHNOLOGIES



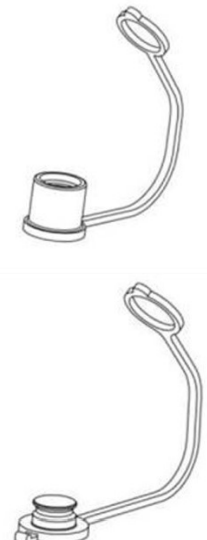
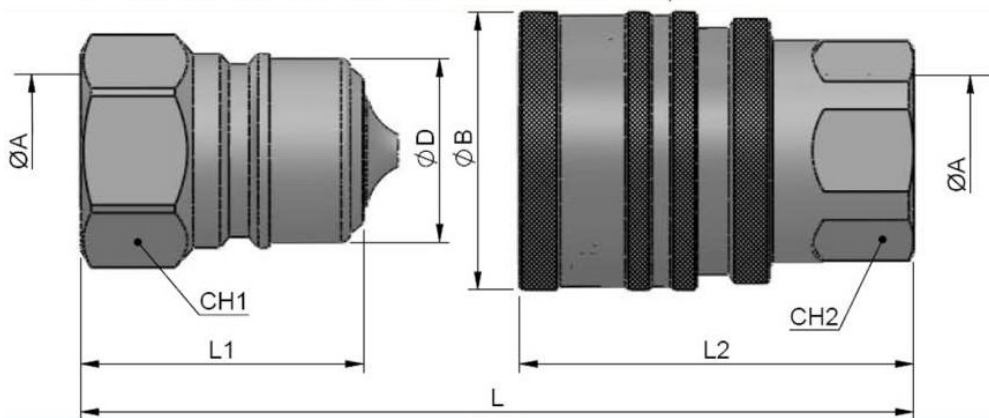
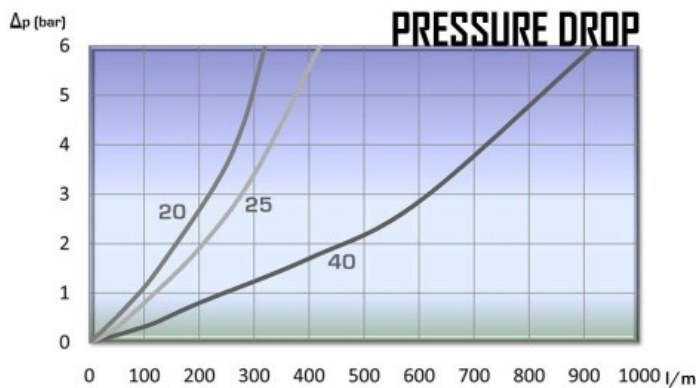
www.hydreco.com

Technical Data Sheet



Materials

Body: Carbon Steel EN-10277-3 / AISI 316L / Brass
 O-ring: NBR
 Back-up ring: PTFE
 Balls: AISI 1010/1015
 Spring: Carbon Steel DIN 17233/84(B)



Body Part No.	Nipple Part No.	Dust Plug Part No.	Dust Cap Part No.	Seal Kit Part No.	Pressure (Bar)	ØA	ØB	ØD	CH1	CH2	L1	L2	L
HPC2510	HPC2520	HPC2516	HPC2526	SKHPC121	450	G1/4"	-	11.9	19	22	45	64	81
HPC3810	HPC3820	HPC3816	HPC3826	SKHPC122	350	G3/8"	34	19.85	22	30	38	60	74
HPC5010	HPC5020	HPC5016	HPC5026	SKHPC123	300	G1/2"	40	24.7	27	36	41.5	65	82
HPC7510	HPC7520	HPC7516	HPC7526	SKHPC124	280	G3/4"	52	32.7	36	46	46	72	91
HPC10010	HPC10020	HPC10016	HPC10026	SKHPC125	250	G1"	62	40.8	46	46	63	88	115.4

Note: For pressure eliminator, the body and nipple part number ends with a "I".

Doc: HPC—11/20

POWAUTO

DAVID BROWN
HYDRAULICS

HYDRECO®

HYDRECO
POWAUTO

ADVANCED HYDRAULIC TECHNOLOGIES



www.hydreco.com