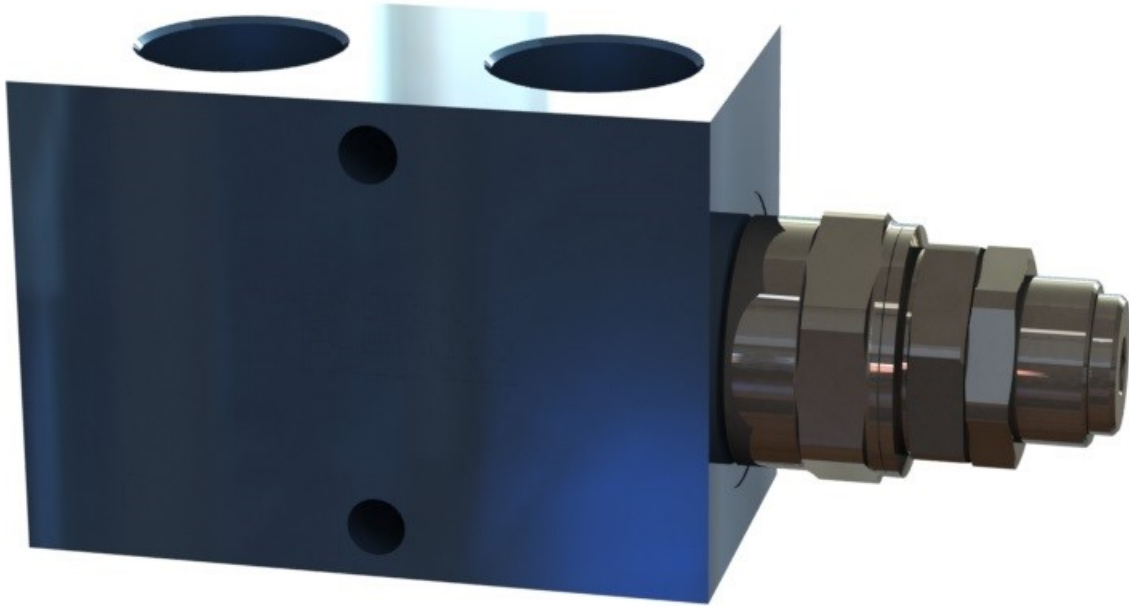


Technical Data Sheet



25 SERIES RELIEF VALVES

Three Port Inline Relief Valves

The 25 Series is an inline direct acting relief valve cartridge in an aluminium housing with 1" BSPP ports.

An inline relief valve should be fitted to a prime mover where the hydraulic control valves are located on the trailer.

Typical applications:

Walking floor, low loaders, car carriers, logging trailers etc.

Product Features

- **Direct Acting Cartridge**
Fast and accurate response.
- **Optional Dual Pressure**
Allows for dual purposing of the vehicle.
- **Simple design**
For trouble-free installation and operation.
- **Aluminium Housing**
Keeps weight to a minimum.
- **Easy Adjustment**
Saves time on installation.

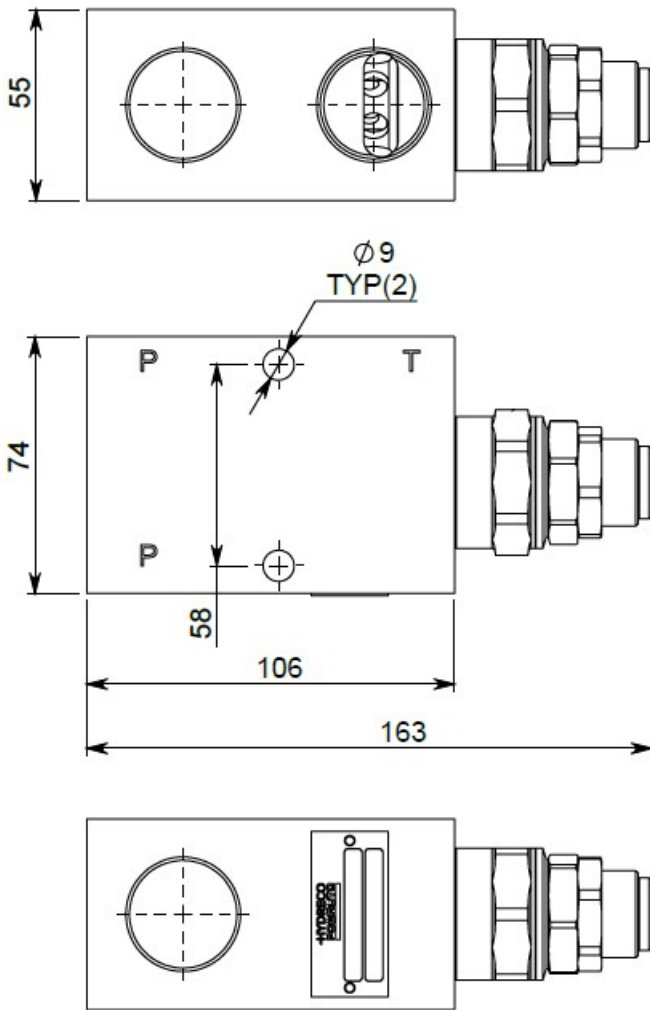


HYDRECO
a member of **DAIKIN** group



www.hydreco.com

Technical Data Sheet



VALVE DESIGNATION CODES

25/26 series valve

Identifier

VA = Valve

Valve Series

25 = Single Pressure

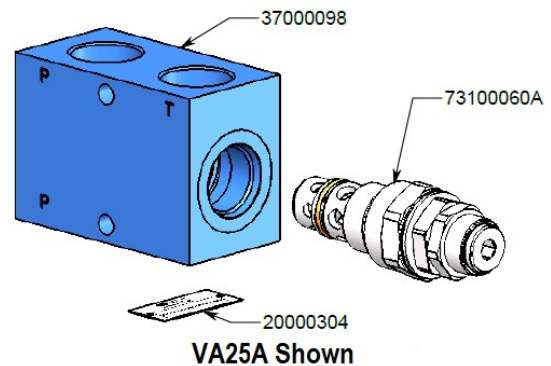
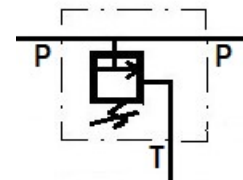
26 = Dual Pressure

Pressure Range

A = 120 to 210 Bar

B = 120 to 345 Bar

VA 25 A



Technical Specifications		VA25#
Flow	L/min / gpm	TBA
Maximum Pressure	Bar / psi	345 / 5000
Bare Mass - VA25A	kg	1.2
Port Sizes		1" BSPP
Seal Kit - VA25#		SK123A
Seal Kit - VA26#		SK123B

Note: Hydreco recommends the use of filtration in all hydraulic circuits to a maximum of 25µ.

Doc: VA25—07/23



HYDRECO
a member of **DAIKIN** group



www.hydreco.com