

EPVJ SERIES

ELECTRICAL REMOTE
CONTROL



ELECTRICAL ON-OFF JOYSTICK

The Hydreco Hydraulics EPVJ series joystick provides a remote electrical "ON-OFF" signal to control solenoid operated devices.

EPVJ has been developed as compact, lightweight and with the maximum number of possible switches to be controlled by one hand in order to replace multi-switch panels on mobile machinery.

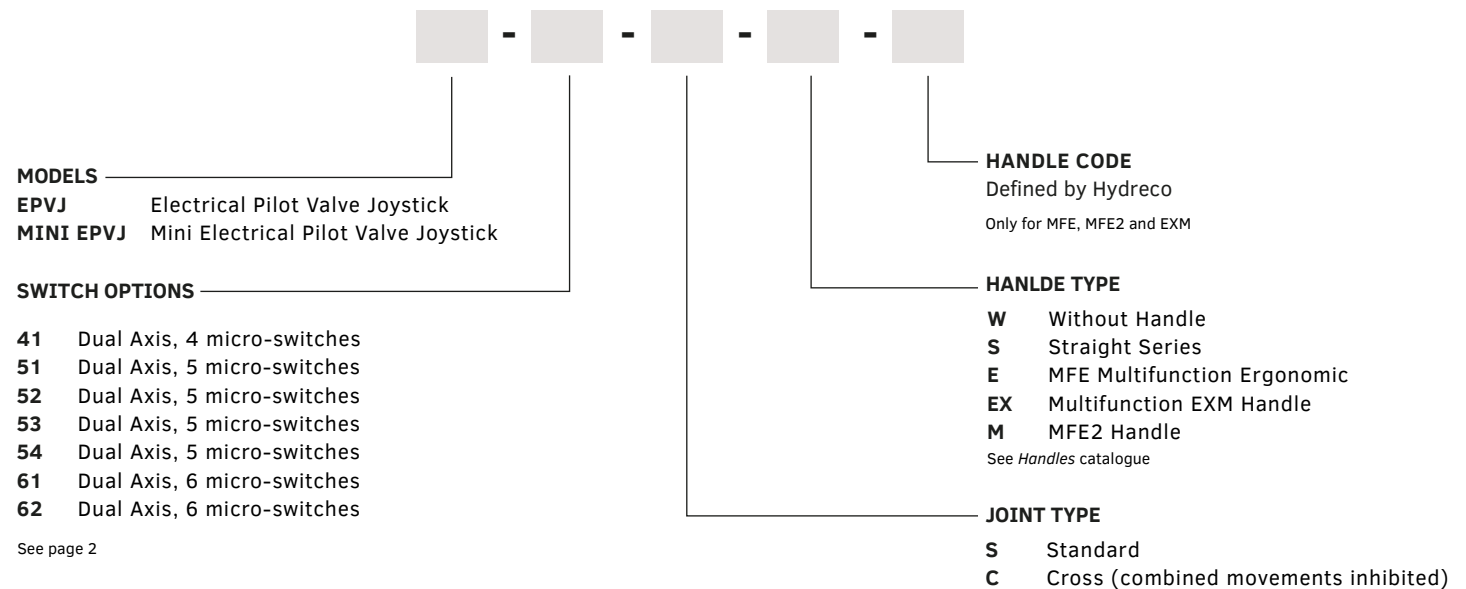
In addition, Mini-EPVJ version is available to fit smaller space for armrest and console mounting, preserving strong mechanical structure and high reliability.

APPLICATIONS

Typical applications include agricultural tractors, mobile grass cutters, fruit picking machines, viticulture machines, material handling machines, road maintenance machines and marine applications

EPVJ SERIES - MODEL CODING

Hydreco Hydraulics reserves the right to update the information and data contained in this catalogue at any time without notice



BENEFITS

- Compact and lightweight
- Intuitive identification of basic service functions
- Multifunction ergonomic handle, controlled with one hand
- Easy and fast control of the solenoid operated devices
- Reliable for heavy duty applications
- Wide range of multifunctional ergonomic handles
- Cable and wired connectors as customer specifications

TECHNICAL FEATURES

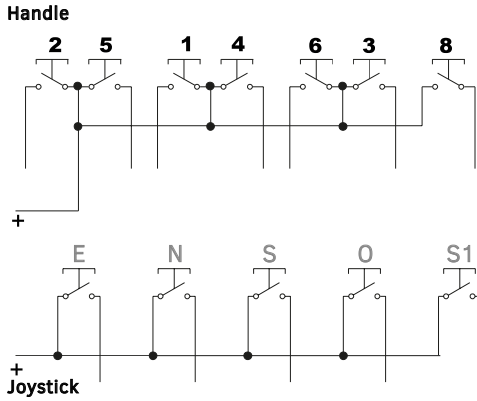
- Dual axis function
- Up to 2 additional contacts on opposite movements
- 16 Amps micro-switches for EPVJ version
- 5 Amps rated outputs for Mini EPVJ version

Example: ELECTRICAL PILOT VALVE JOYSTICK, DUAL AXIS 4 MICRO-SWITCHES, STANDARD JOINT, MFE HANDLE N. 12493: **EPVJ-41-S-E-12493**

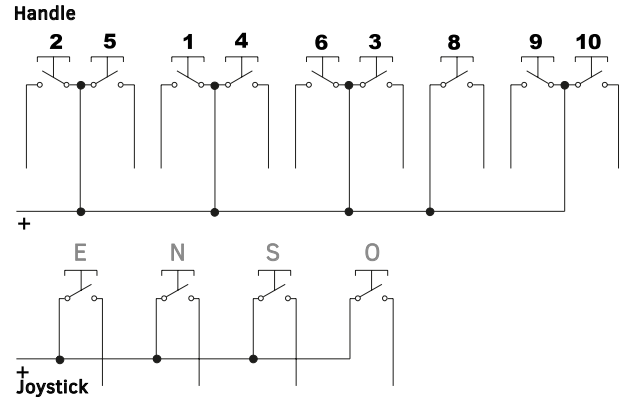
ELECTRICAL CIRCUIT DIAGRAM

The circuit diagrams below show general examples of the possible combination of buttons. Please contact Hydreco Hydraulics for more information. The electrical circuit diagrams shown correspond to the joysticks on page 3 and 4.

Circuit Example - EPVJ Version



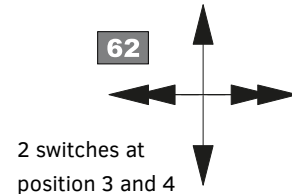
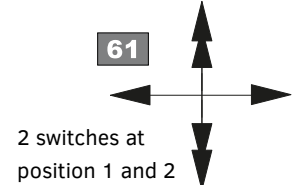
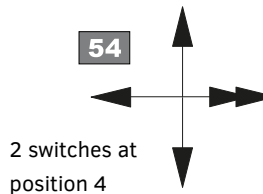
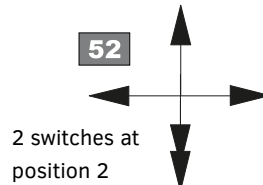
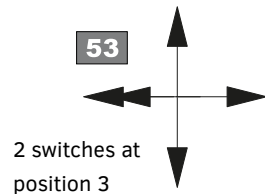
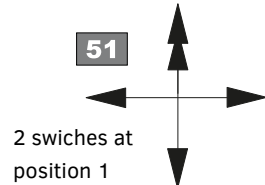
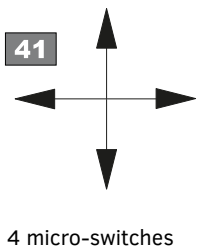
Circuit Example - Mini EPVJ Version



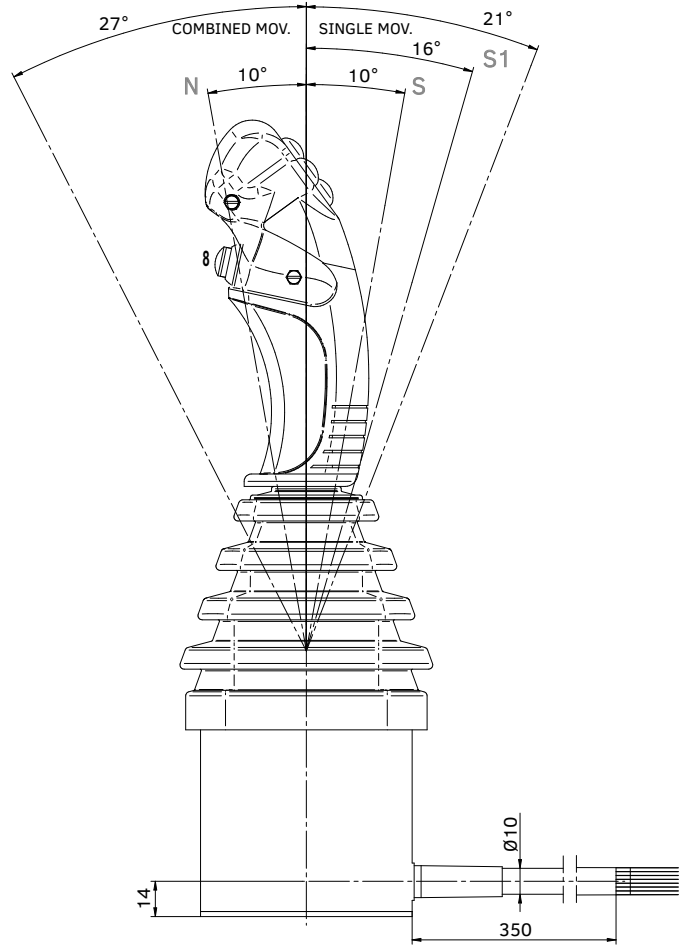
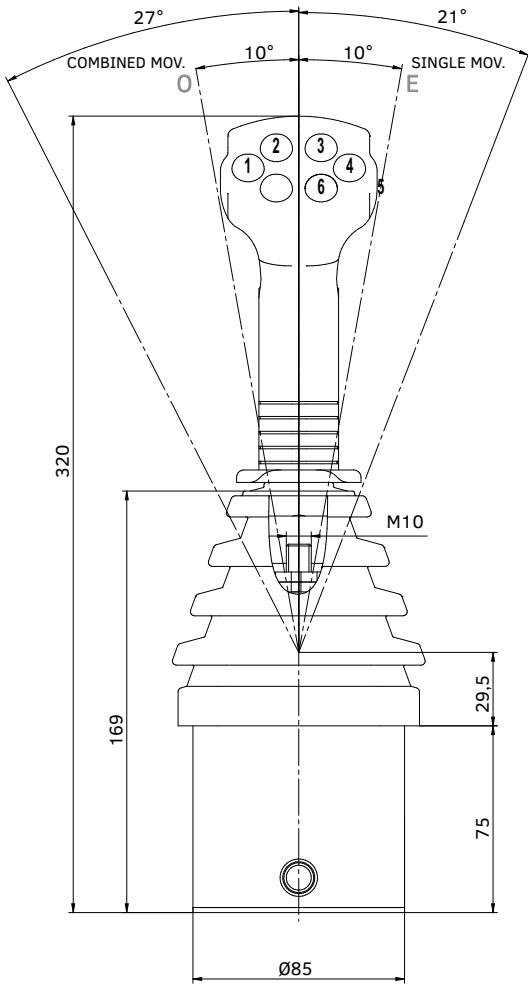
NOTES

1. Different cable lengths can be supplied to customer
2. Other joystick variants are available. For details please contact Hydreco Hydraulics
3. Connectors can be fitted to customer requirements.
4. Single axis version available on request.

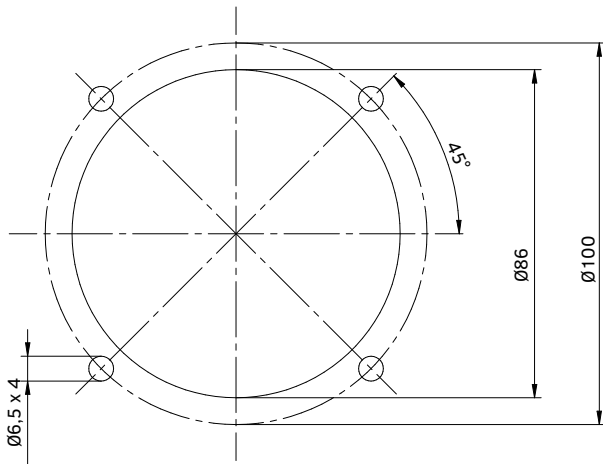
SWITCH POSITION OPTIONS



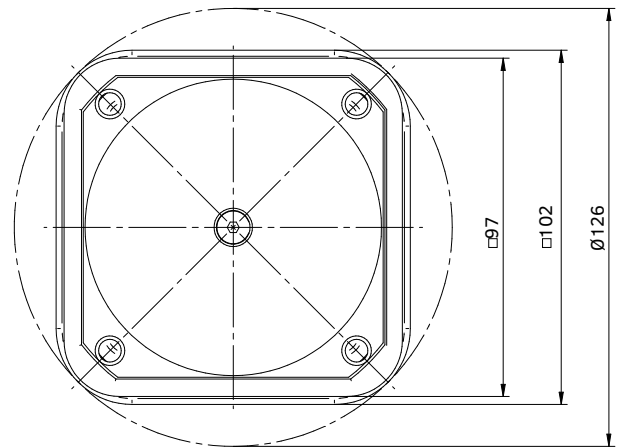
EPVJ



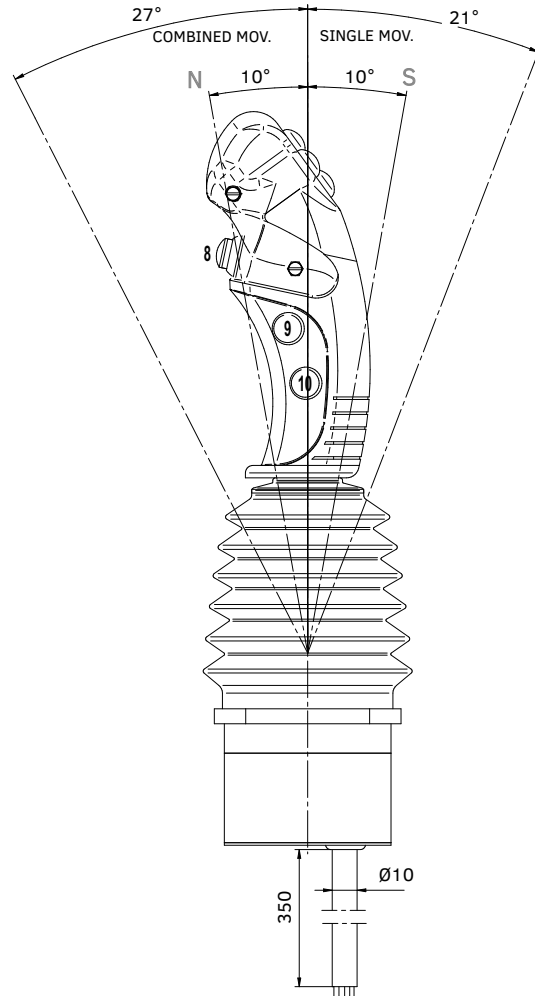
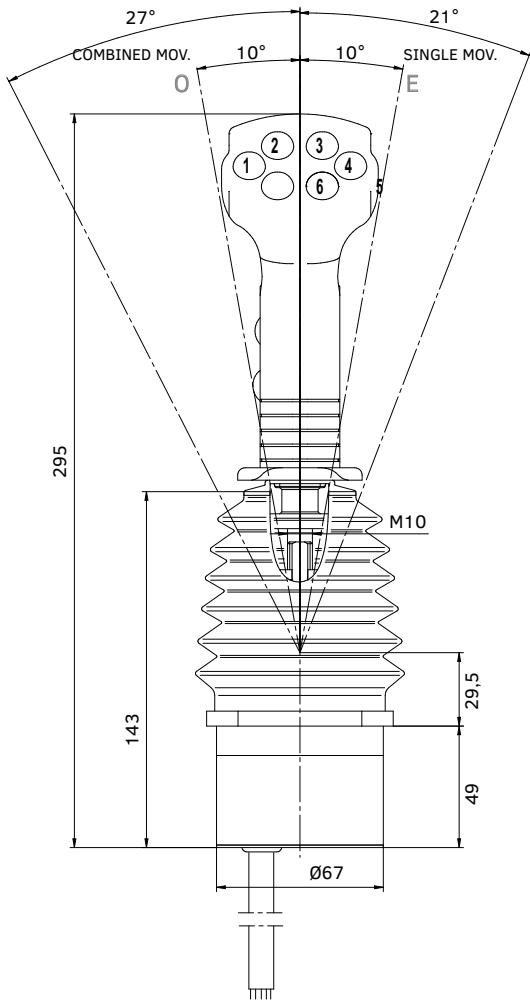
EPVJ INSTALLATION DRAWING



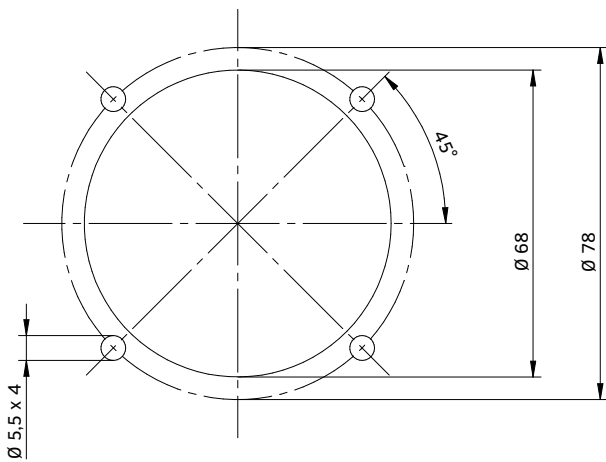
EPVJ FOOTPRINT



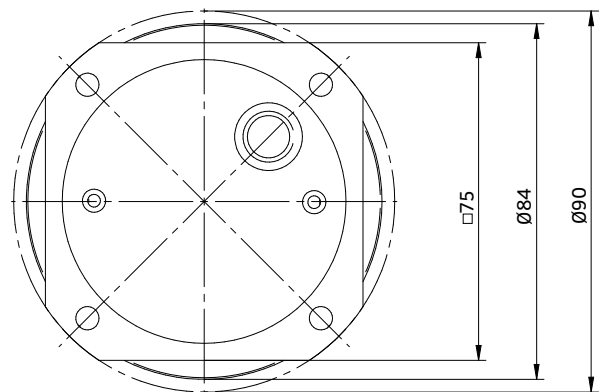
MINI EPVJ



MINI EPVJ INSTALLATION DRAWING



MINI EPVJ FOOTPRINT



Supported by a worldwide network



CONTACT INFORMATION

EMEA

GERMANY	Hydreco Hydraulics GmbH, Straelen (NRW)	+49 283494303-41	info-de@hydreco.com
ITALY	Hydreco Hydraulics Italia Srl, Vignola (MO)	+39 059 7700411	sales-it@hydreco.com
ITALY	Hydreco Hydraulics Italia Srl, Parma (PR)	+39 0521 1830520	sales-it@hydreco.com
ITALY	Hydreco Srl, San Cesario S/P (MO)	+39 059 330091	cylinders@hydreco.com
NORWAY	Hydreco Hydraulics Norway AS, Nittedal	+47 22909410	post-no@hydreco.com
UK	Hydreco Hydraulics Ltd, Poole, Dorset	+44 (0) 1202 627500	info-uk@hydreco.com

AMERICAS

NORTH/LATIN	Hydreco Inc / Continental Hydraulics Inc, Shakopee (MN)	+1 952 895 6400	sales@conthyd.com
-------------	---------------------------------------------------------	-----------------	-------------------

APAC

AUSTRALIA	Hydreco Hydraulics Pty Ltd, Seven Hills (NSW)	+61 2 9838 6800	sales-au@hydreco.com
AUSTRALIA	Hydreco Hydraulics Pty Ltd, Welshpool (WA)	+61 8 9377 2211	reception-wa@hydreco.com
INDIA	Hydreco Hydraulics India Private Ltd, Bangalore	+91 80 67656300	sales-in@hydreco.com

