

HPVM
HYDRAULIC PILOT
CONTROL



INTRODUCTION

HPVM Pilot Control Valves are part of the extensive range of Hydreco Hydraulics products.

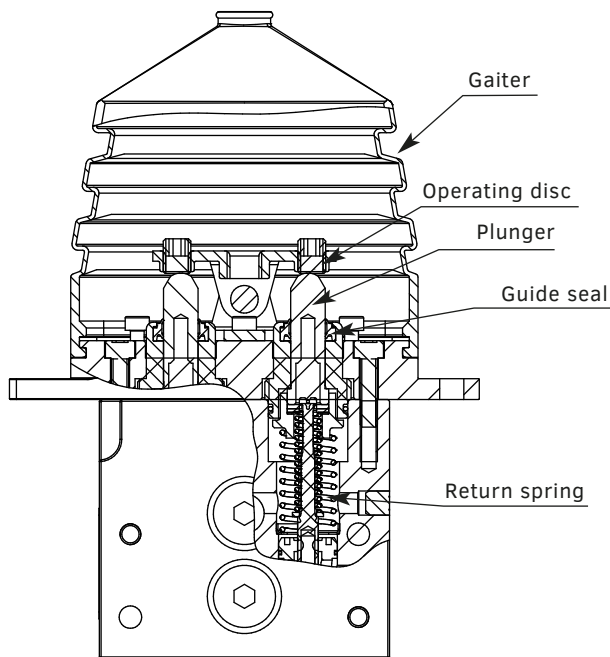
This product, with its single lever control, supported by an extensive range of characteristics and handles is suitable for a wide range of both mobile and industrial applications.

Our engineers can offer special support to optimise this product to suit your application.

BENEFITS

- Compact and lightweight
- Suitable for armrest of console mounting
- Compatible with a wide range of product
- Operator is protected from high temperature components
- Low hysteresis, high accuracy, pressure control curves
- Wide range of electrical options in both standard and multifunctional ergonomic handles
- Low effort lever control

PARTS



APPLICATIONS

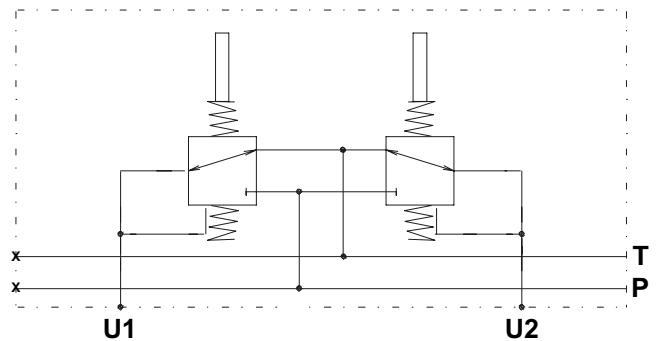
- Forklift trucks
- Drilling rigs
- Forestry machines
- Container handlers
- Cranes
- Mining
- Material handling

TECHNICAL FEATURES

MAXIMUM OPERATING PRESSURE	inlet (P port)	50 bar	725 psi
	back (T port)	3 bar	43.5 psi
CONTROL FLOW	range	5 to 20 l/min	1.3 to 5.3 gpm
MAXIMUM HYSTERESIS		±0.5 bar	± 7.3 psi
SERVICE PORTS		1/4" BSP	7/16" UNF

RANGE TEMPERATURES	ambient	-20 to +54 °C	-4 to +130 °F
	fluid	-20 to +82 °C	-4 to +180 °F
FLUID TYPE	mineral oils ISO, HM and HV		
FLUID CONTAMINATION	ISO 4406:1999 class 20/18/15		

HYDRAULIC SYMBOL (TYPICAL)



See others model's hydraulic symbols at page 4

HPVM- [] - [] - [] - **F** - [] - [] - []

MODEL _____
 HPV Hydraulic Pilot Valve

SERIES _____

MODEL TYPE _____

- 01** Lever spring returned to neutral
- 02** Lever frictioned in any position
- 03** Lever frictioned in any position with neutral sensor
- 04** Lever detented at both stroke ends
- 05** Lever detented in neutral position
- 06** Lever detented in neutral and frictioned hold in any position
- 07** Lever detented to U1 and spring return to neutral from U2
- 08** Lever detented to U2 and spring return to neutral from U1

HANDLE STYLE _____

(refer to HANDLE catalogue for complete handle options definition)

- W** Without handle
- KB** Straight handle without electric switch
- S** Straight handle with electric switch
- SA** Straight handle without electric switch
- SD** Straight handle with electric switch
- SX** Straight handle with electric switch
- SS** Straight handle with electric switch to close and safety button
- SY** Straight handle with electric switch dual rocker type
- SZ2** Straight handle with 2 positions latched rocker
- SZ3** Straight handle with 3 positions latched rocker
- E** MFE handle series
- EX** EXM handle (multifunctional) series

MICRO SWITCH OPTIONS

(OMIT if not required)

- M1** 1 switch senses out of centre position
- M2** 2 switches sense movement away from neutral each way
- M3** 1 switch senses forward movement away from neutral
- M4** 1 switch senses backward movement away from neutral

PORTS

Omit for 1/4" BSP
S 7/16"- 20 UNF SAE4

RETURN SPRING

0 Standard : 1.4 to 2.8 daN
1 Medium : 3.0 to 4.5 daN

CONTROL PLUNGER

METERING CURVES

See 'curve ID' in tables at pages 5 and 6.

KB



S*



E



EX

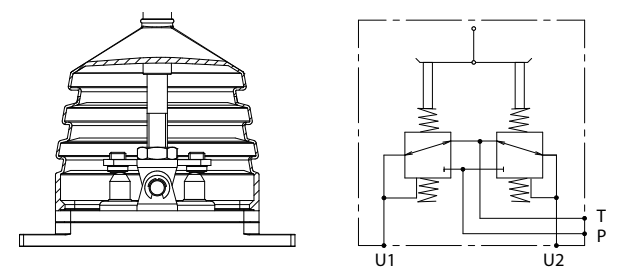


CODE EXAMPLE:

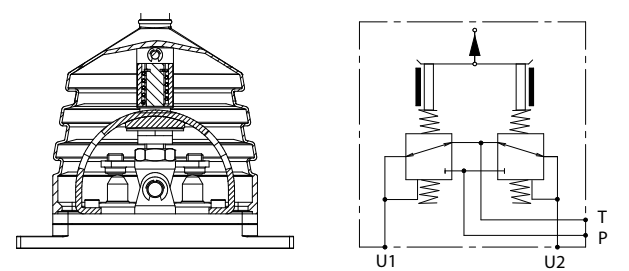
HPVM-01-KB-049-F-0 + 02-KB-090-F-0 (double)

Hydraulic pilot valve series M, lever spring returned to neutral, duro plast knob handle, metering curve with step n. 049, standard plunger, standard return spring + Hydraulic pilot valve series M, lever frictioned in any position, duroplast knob handle, metering curve with step n. 090, standard plunger, standard return spring.

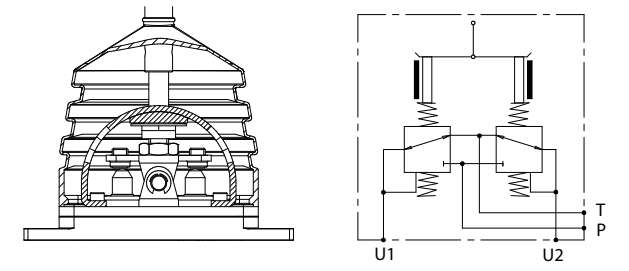
HYDRAULIC SYMBOL (01 MODEL TYPE)



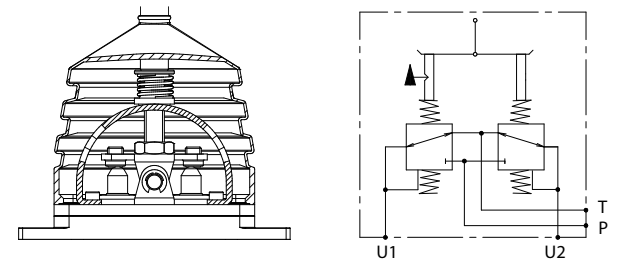
HYDRAULIC SYMBOL (06 MODEL TYPE)



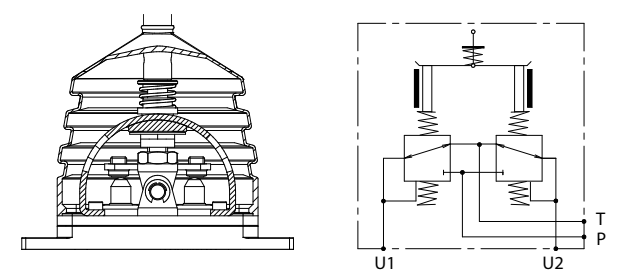
HYDRAULIC SYMBOL (02 MODEL TYPE)



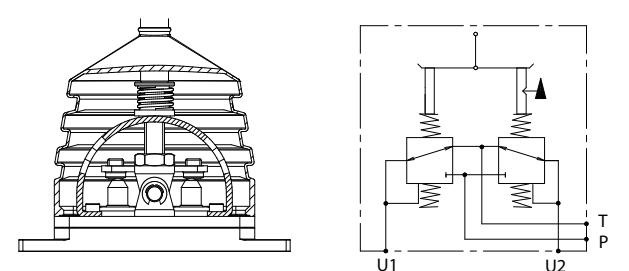
HYDRAULIC SYMBOL (07 MODEL TYPE)



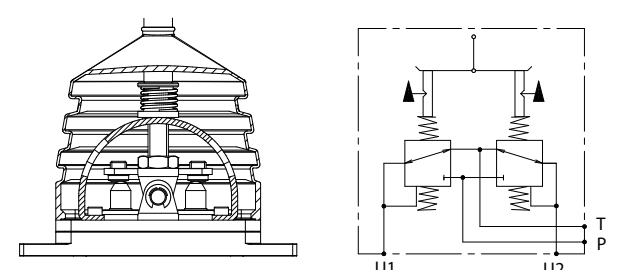
HYDRAULIC SYMBOL (03 MODEL TYPE)



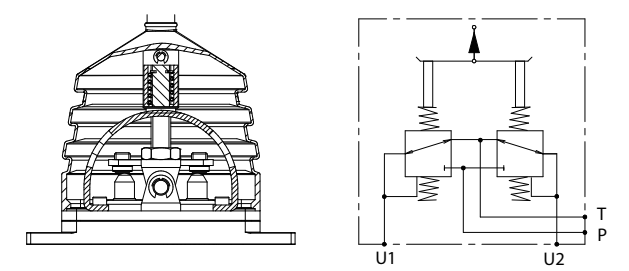
HYDRAULIC SYMBOL (08 MODEL TYPE)



HYDRAULIC SYMBOL (04 MODEL TYPE)

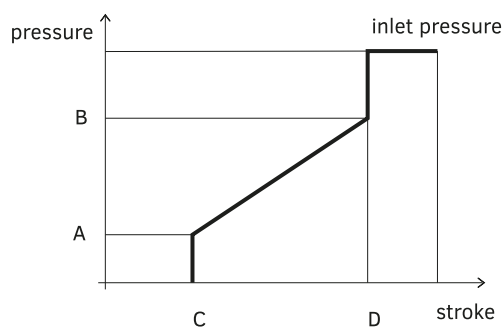


HYDRAULIC SYMBOL (05 MODEL TYPE)



METERING CURVES - WITH STEP

Tolerance on pressure settings ± 0.5 bar (7.25 psi). Other metering curves are available upon request.

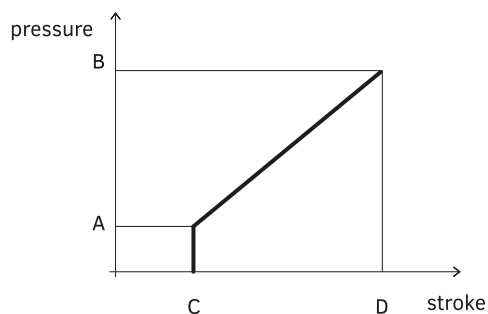


PRESSURE (bar psi)		STROKE (mm in)		CURVE ID
A	B	C	D	
0.0 0.0	13.0 188.6	0.5 0.02	8.5 0.33	027
0.5 7.3	4.0 58.0	1.8 0.07	8.5 0.33	009
0.5 7.3	6.5 94.3	2.0 0.08	8.5 0.33	010
0.5 7.3	11.4 165.4	1.8 0.07	8.5 0.33	047
0.5 7.3	18.4 267.0	1.0 0.04	8.5 0.33	076
1.0 14.5	8.0 116.1	1.0 0.04	8.5 0.33	011
1.0 14.5	12.0 174.1	1.0 0.04	8.5 0.33	034
1.5 21.8	8.5 123.3	1.0 0.04	8.5 0.33	069
2.0 29.0	11.5 166.9	1.0 0.04	8.5 0.33	012
2.0 29.0	11.5 166.9	2.0 0.08	8.5 0.33	025
2.0 29.0	8.0 116.1	0.5 0.02	8.5 0.33	042
2.0 29.0	13.0 188.6	1.0 0.04	8.5 0.33	045
2.0 29.0	20.5 297.5	1.0 0.04	8.5 0.33	077
2.0 29.0	27.5 399.0	1.0 0.04	8.5 0.33	080
2.0 29.0	14.2 206.0	1.0 0.04	8.5 0.33	163
2.0 29.0	25.0 362.8	1.0 0.04	8.5 0.33	180
2.4 34.8	16.4 238.0	1.0 0.04	8.5 0.33	078
2.8 40.6	14.91 216.3	1.0 0.04	8.5 0.33	123
2.8 40.6	4.75 69.0	1.0 0.04	8.5 0.33	129
3.0 43.5	9.0 130.6	2.0 0.08	8.5 0.33	021
3.0 43.5	10.0 145.1	1.0 0.04	8.5 0.33	051
3.0 43.5	21.74 315.4	1.0 0.04	8.5 0.33	101
3.0 43.5	8.0 116.1	1.0 0.04	8.5 0.33	125
3.2 46.4	15.4 223.4	1.0 0.04	8.5 0.33	041
3.2 46.4	11.7 169.8	1.8 0.07	8.5 0.33	048
3.2 46.4	17.2 249.6	1.0 0.04	8.5 0.33	062
3.4 49.3	29.4 426.6	1.0 0.04	8.5 0.33	030
3.5 50.8	13.0 188.6	1.0 0.04	8.5 0.33	101
3.7 53.7	29.23 424.1	1.0 0.04	8.5 0.33	104
4.0 58.0	21.5 312.0	1.0 0.04	8.5 0.33	090
4.3 62.4	15.2 220.6	1.0 0.04	8.5 0.33	049
4.3 62.4	13.8 200.2	1.0 0.04	8.5 0.33	122
4.44 64.4	17.0 246.7	1.8 0.07	8.5 0.33	107
4.44 64.4	30.4 441.1	1.0 0.04	8.5 0.33	138
4.5 65.3	18.0 261.2	1.0 0.04	8.5 0.33	095
4.5 65.3	27.0 391.2	1.0 0.04	8.5 0.33	108
4.8 69.6	17.4 252.5	2.0 0.08	8.5 0.33	200
4.9 71.1	18.9 274.2	1.0 0.04	8.5 0.33	018
4.9 71.1	17.5 254.0	2.0 0.08	8.5 0.33	202
5.0 72.6	14.5 210.4	1.0 0.04	8.5 0.33	019
5.0 72.6	12.0 174.1	1.0 0.04	8.5 0.33	023
5.0 72.6	15.9 230.7	1.0 0.04	8.5 0.33	026
5.0 72.6	24.5 355.5	1.8 0.07	8.5 0.33	109
5.0 72.6	23.0 333.7	1.0 0.04	8.5 0.33	116
5.0 72.6	19.3 280.0	1.0 0.04	8.5 0.33	201

PRESSURE (bar psi)		STROKE (mm in)		CURVE ID
A	B	C	D	
5.1 74.0	19.1 277.1	1.2 0.05	8.5 0.33	112
5.5 79.8	24.2 351.1	1.0 0.04	8.5 0.33	028
5.5 79.8	27.0 391.8	1.0 0.04	8.5 0.33	139
5.7 82.7	17.8 258.3	1.0 0.04	8.5 0.33	137
5.8 84.2	22.0 319.2	1.8 0.07	8.5 0.33	015
5.8 84.2	22.4 325.0	1.0 0.04	8.5 0.33	082
5.8 84.2	22.0 319.2	1.0 0.04	8.5 0.33	088
5.8 84.2	19.8 287.3	1.0 0.04	8.5 0.33	106
5.8 84.2	23.9 346.8	1.0 0.04	8.5 0.33	113
5.8 84.2	26.0 377.3	1.0 0.04	8.5 0.33	115
5.9 88.6	12.9 187.2	1.0 0.04	8.5 0.33	065
6.0 85.6	28.7 416.4	1.0 0.04	8.5 0.33	150
6.1 88.6	15.1 219.1	1.0 0.04	8.5 0.33	209
6.5 88.5	14.0 203.1	1.0 0.04	8.5 0.33	020
6.5 88.5	28.0 406.3	1.0 0.04	8.5 0.33	063
6.6 95.8	20.7 300.4	1.0 0.04	8.5 0.33	043
6.6 95.8	22.7 329.4	1.5 0.06	8.5 0.33	181
6.7 97.2	16.2 235.1	1.0 0.04	8.5 0.33	127
7.0 101.6	26.7 387.4	0.5 0.02	8.5 0.33	135
7.2 104.5	15.3 222.0	1.0 0.04	8.5 0.33	100
7.2 104.5	16.7 242.3	1.0 0.04	8.5 0.33	199
7.57 109.8	24.6 357.0	0.5 0.02	8.5 0.33	136
7.6 110.3	21.7 314.9	1.0 0.04	8.5 0.33	198
7.6 110.3	21.5 312.0	1.0 0.04	8.5 0.33	207
8.0 116.1	24.2 351.1	1.0 0.04	8.5 0.33	024
8.0 116.1	20.7 300.4	1.8 0.07	8.5 0.33	044
8.0 116.1	23.0 333.7	1.0 0.04	8.5 0.33	173
8.2 119.0	24.4 354.0	1.8 0.07	8.5 0.33	013
8.2 119.0	24.5 355.5	1.0 0.04	8.5 0.33	014
8.4 121.9	50.0 725.5	1.0 0.04	8.5 0.33	073
8.4 121.9	21.1 306.2	3.25 0.13	8.5 0.33	098
8.4 121.9	27.9 404.8	1.8 0.07	8.5 0.33	120
8.5 123.3	16.2 235.1	1.0 0.04	8.5 0.33	175
9.0 130.6	15.5 224.9	2.0 0.08	8.5 0.33	084
9.8 142.2	26.0 377.3	1.8 0.07	8.5 0.33	032
14.0 203.1	29.0 420.8	1.0 0.04	8.5 0.33	031

METERING CURVES - WITHOUT STEP

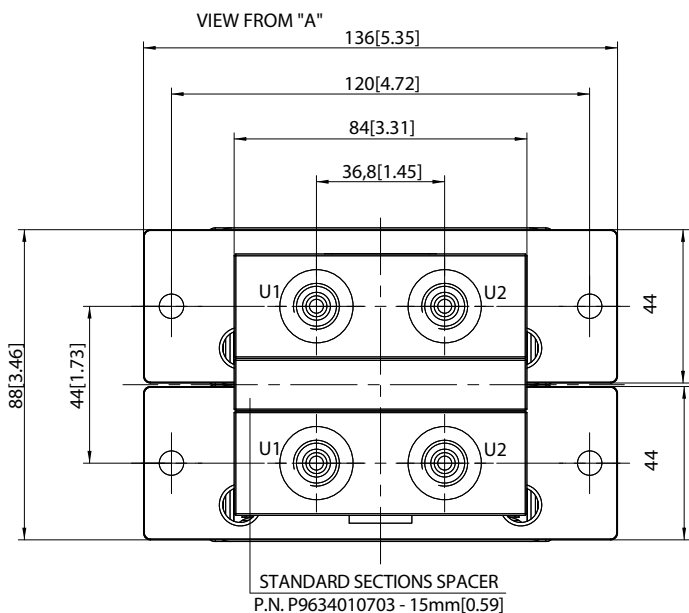
Tolerance on pressure settings ± 0.5 bar (7.25 psi). Other metering curves are available upon request.



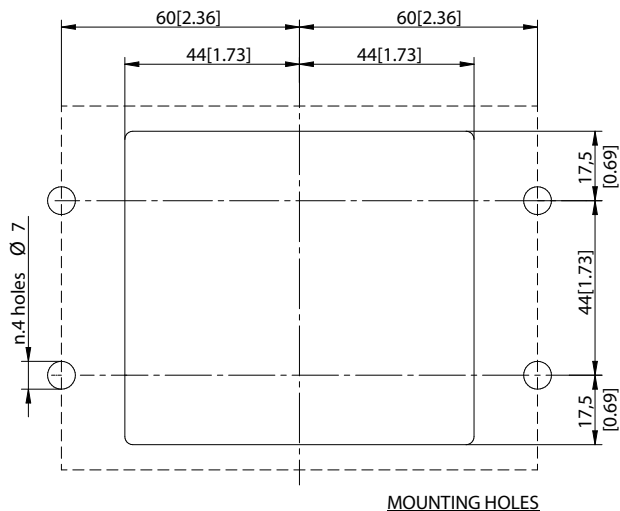
PRESSURE (bar psi)		STROKE (mm in)		CURVE ID
A	B	C	D	
0.0 0.0	64.0 928.6	2.0 0.08	9.0 0.35	022
0.0 0.0	115.0 1668.7	2.0 0.08	9.0 0.35	033
0.0 0.0	38.0 551.4	1.0 0.04	9.0 0.35	061
0.0 0.0	130.0 1886.3	1.0 0.04	9.0 0.35	143
0.0 0.0	27.3 396.1	1.0 0.04	9.0 0.35	205
0.5 7.3	12.2 177.0	1.8 0.07	9.0 0.35	087
0.7 10.2	30.0 435.3	1.0 0.04	9.0 0.35	071
1.0 14.5	15.5 224.9	1.0 0.04	9.0 0.35	178
1.4 20.3	11.5 166.9	1.0 0.04	9.0 0.35	072
1.4 20.3	12.2 177.0	1.0 0.04	9.0 0.35	155
1.5 21.8	9.0 130.6	1.0 0.04	9.0 0.35	086
1.5 21.8	39.5 573.1	1.0 0.04	9.0 0.35	093
2.0 29.0	8.0 116.1	1.0 0.04	9.0 0.35	004
2.0 29.0	15.0 217.7	1.0 0.04	9.0 0.35	060
2.0 29.0	52.5 761.8	1.0 0.04	9.0 0.35	092
2.8 40.6	5.9 85.6	1.0 0.04	9.0 0.35	157
3.0 43.5	23.0 333.7	1.0 0.04	9.0 0.35	058
3.0 43.5	14.0 203.1	1.0 0.04	9.0 0.35	162
3.0 43.5	10.0 145.1	1.0 0.04	9.0 0.35	165
3.2 46.4	18.1 262.6	1.0 0.04	9.0 0.35	053
3.2 46.4	20.0 290.2	1.0 0.04	9.0 0.35	096
3.2 46.4	16.2 235.1	1.0 0.04	9.0 0.35	153
3.5 50.8	25.7 372.9	1.0 0.04	9.0 0.35	171
3.7 53.7	31.0 449.8	1.0 0.04	9.0 0.35	168
3.8 55.1	23.7 343.9	1.0 0.04	9.0 0.35	074
4.0 58.0	10.0 145.1	1.0 0.04	9.0 0.35	005
4.0 58.0	8.0 116.1	1.0 0.04	9.0 0.35	054
4.0 58.0	16.0 132.2	1.0 0.04	9.0 0.35	057
4.0 58.0	6.0 87.1	1.0 0.04	9.0 0.35	170
4.3 62.4	10.0 145.1	1.0 0.04	9.0 0.35	158
4.4 63.8	21.6 313.4	1.0 0.04	9.0 0.35	126
4.7 68.2	27.6 400.5	1.0 0.04	9.0 0.35	132
4.9 71.1	19.8 287.3	1.0 0.04	9.0 0.35	204
5.0 72.6	10.5 152.4	1.0 0.04	9.0 0.35	066
5.0 72.6	18.0 261.2	1.0 0.04	9.0 0.35	079
5.0 72.6	33.0 478.8	1.0 0.04	9.0 0.35	085
5.0 72.6	20.0 290.2	1.0 0.04	9.0 0.35	089
5.0 72.6	19.9 288.7	1.0 0.04	9.0 0.35	094
5.0 72.6	45.0 653.0	1.0 0.04	9.0 0.35	169
5.0 72.6	12.0 174.1	1.0 0.04	9.0 0.35	196
5.0 72.6	26.0 377.3	1.0 0.04	9.0 0.35	203
5.5 79.8	26.7 387.4	1.1 0.04	9.0 0.35	067
5.5 79.8	25.5 370.0	1.1 0.04	9.0 0.35	075
5.5 79.8	50.0 725.5	2.0 0.08	9.0 0.35	145
5.6 79.8	21.4 310.5	1.0 0.04	9.0 0.35	208

PRESSURE (bar psi)		STROKE (mm in)		CURVE ID
A	B	C	D	
5.7 82.7	64.0 928.6	1.0 0.04	9.0 0.35	022
5.8 84.2	115.0 1668.7	1.6 0.06	9.0 0.35	033
5.8 84.2	38.0 551.4	1.0 0.04	9.0 0.35	061
5.8 84.2	130.0 1886.3	1.8 0.07	9.0 0.35	143
5.8 84.2	27.3 396.1	1.0 0.04	9.0 0.35	205
6.0 87.1	12.2 177.0	2.0 0.08	9.0 0.35	087
6.0 87.1	30.0 435.3	1.0 0.04	9.0 0.35	071
6.0 87.1	15.5 224.9	1.0 0.04	9.0 0.35	178
6.0 87.1	11.5 166.9	1.0 0.04	9.0 0.35	072
6.0 87.1	12.2 177.0	1.0 0.04	9.0 0.35	155
6.0 87.1	9.0 130.6	1.0 0.04	9.0 0.35	086
6.4 92.9	39.5 573.1	1.0 0.04	9.0 0.35	093
6.5 94.3	8.0 116.1	2.0 0.08	9.0 0.35	004
7.0 101.6	15.0 217.7	1.0 0.04	9.0 0.35	060
7.0 101.6	52.5 761.8	1.0 0.04	9.0 0.35	092
7.0 101.6	5.9 85.6	1.0 0.04	9.0 0.35	157
7.0 101.6	23.0 333.7	1.0 0.04	9.0 0.35	058
7.5 108.8	14.0 203.1	1.0 0.04	9.0 0.35	162
8.0 116.1	10.0 145.1	1.0 0.04	9.0 0.35	165
8.1 117.5	18.1 262.6	3.25 0.13	9.0 0.35	053
8.3 120.4	20.0 290.2	1.0 0.04	9.0 0.35	096
8.6 124.8	16.2 235.1	1.0 0.04	9.0 0.35	153
9.1 132.0	25.7 372.9	1.0 0.04	9.0 0.35	171
11.5 166.9	31.0 449.8	1.0 0.04	9.0 0.35	168

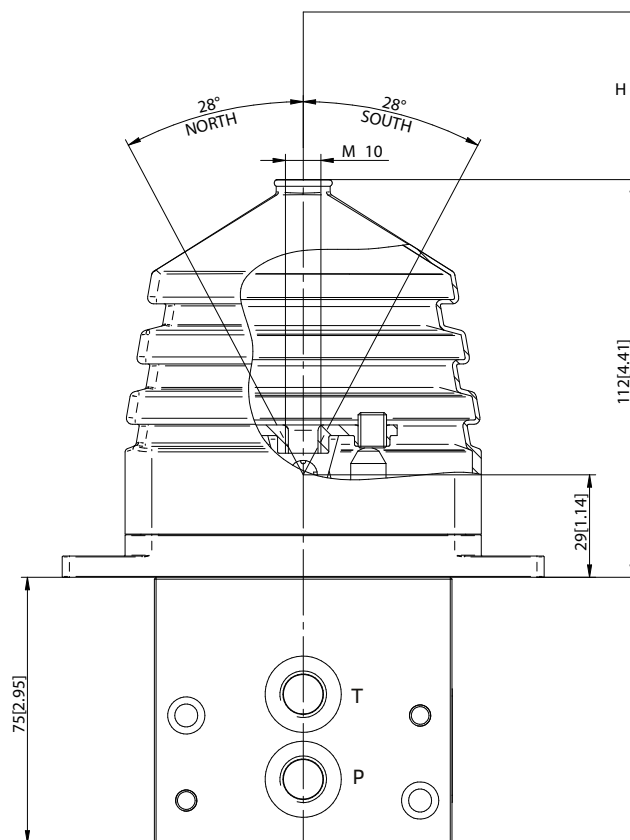
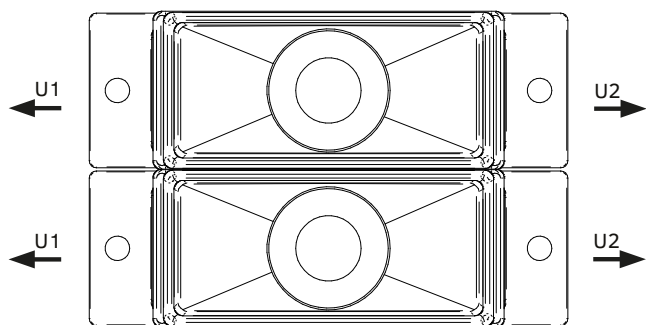
INSTALLATION AND DIMENSIONS mm[in]



FOOTPRINT



ORIENTATION OF THE PILOT CONTROL UNITS



Valve configuration	approx. weight (kg lb)	H (mm in)
only body + gaiter	2.8 6.18	-
with S* handles	3.4 7.50	133 5.24
with KB handles	3.6 7.94	083 3.27

IMPORTANT:

Referred to KB handle. Standard section spacer (P.N. **P9634010703** 15mm[0.59])
Mount P.N. **P9634013703** spacer (30mm[1.18]) for S* handles, or P.N. **P9634014973** (50mm[1.97]) for MFE or EXM handles.
Max spacers: 8 for KB handles, 5 for others handles.

Supported by a worldwide network



CONTACT INFORMATION

EMEA

GERMANY	Hydreco Hydraulics GmbH, Straelen (NRW)	☎ +49 283494303-41	✉ info-de@hydreco.com
ITALY	Hydreco Hydraulics Italia Srl, Vignola (MO)	☎ +39 059 7700411	✉ sales-it@hydreco.com
ITALY	Hydreco Hydraulics Italia Srl, Parma (PR)	☎ +39 0521 1830520	✉ sales-it@hydreco.com
ITALY	Hydreco Srl, San Cesario S/P (MO)	☎ +39 059 330091	✉ cylinders@hydreco.com
NORWAY	Hydreco Hydraulics Norway AS, Nittedal	☎ +47 22909410	✉ post-no@hydreco.com
UK	Hydreco Hydraulics Ltd, Poole, Dorset	☎ +44 (0) 1202 627500	✉ info-uk@hydreco.com

AMERICAS

NORTH/LATIN	Hydreco Inc/ Continental Hydraulics Inc, Shakopee (MN)	☎ +1 952 895 6400	✉ sales@conthyd.com
--------------------	--	-------------------	---------------------

APAC

AUSTRALIA	Hydreco Hydraulics Pty Ltd, Seven Hills (NSW)	☎ +61 2 9838 6800	✉ sales-au@hydreco.com
AUSTRALIA	Hydreco Hydraulics Pty Ltd, Welshpool (WA)	☎ +61 8 9377 2211	✉ reception-wa@hydreco.com
INDIA	Hydreco Hydraulics India Private Ltd, Bangalore	☎ +91 80 67656300	✉ sales-in@hydreco.com