

Technical Data Sheet



8503 SERIES POWER TAKE-OFF

SAE 8 Bolt Heavy Duty Side Mounted PTO

The PA8503 series PTO is designed for Eaton transmissions with helical gears and an SAE 8 bolt opening on the bottom left.

Gears are hobbled and shaved for closer tolerances and quieter operation. While heavy duty bearings are used throughout.

These PTO's provide high speed, high torque outputs to cover all common applications.

Suits:

Eaton EE-17F111B, EEO-14F112C, EEO-15F112C, EEO-16F112C, EEO-17F112C, EEO-18F112C
Paccar P-17F111B, PO-14F112C, PO-15F112C, PO-16F112C, PO-17F112C, PO-18F112C

Product Features

- **Access Hole For Checking Backlash**
For ease of installation.
- **Hobbed & Shaved Gears**
For quieter operation.
- **Viton Seals and O-Rings**
For greater durability at high operating temperatures and with synthetic oils.
- **One Gasket Fitment**
Simple to install, resulting in lower installation costs.
- **Double O-Ring Seals**
Greater leak protection.
- **Heavy Duty Tapered Roller Bearings**
For high capacity output.

POWAUTO

DAVID BROWN
HYDRAULICS

HYDRECO®

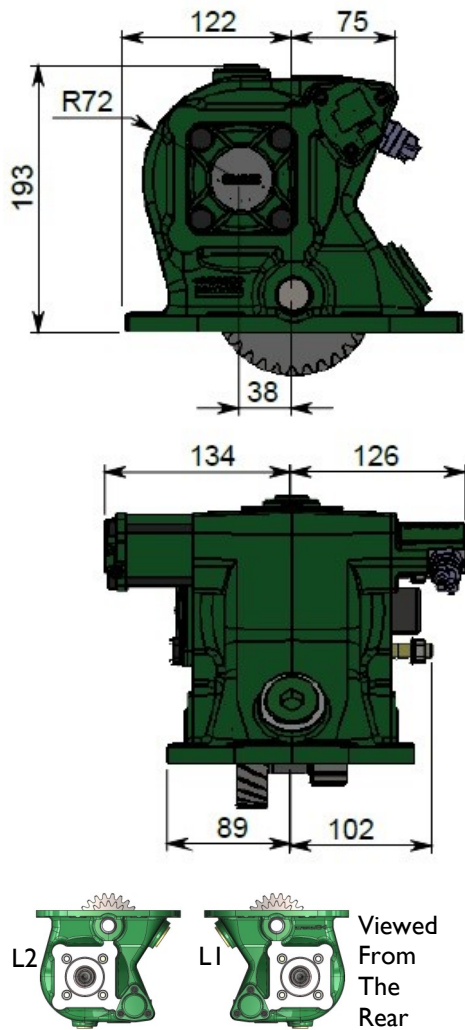
HYDRECO
POWAUTO

ADVANCED HYDRAULIC TECHNOLOGIES



www.hydreco.com

Technical Data Sheet



PTO DESIGNATION CODES

8503 Series

PA 8503 KA L21 A 08 A

Identifier

PA = PTO Side Mount

PTO Series

8503

Gear Type

KA

Build

L = Left side of transmission

1 = Selector to top / Bias to bottom

2 = Selector to bottom / Bias to top

1 = Centre to front

2 = Centre to rear

(Position of gear in transmission)

Engagement Type

A = Air

Output Type

08 = 8T Powauto Hydraulic Spline

23 = 8T Ø36 DIN 5462 Spline - Female and DIN Mount

Other outputs available on request, subject to MOQ.

Manufacturers Code

A = With Engagement Switch

Technical Specifications		8503 Series
Ratings & Service Parts		Standard
Torque	Nm / ft.lb	443 / 327
Output Speed	% Engine	140.65
Power @ 500 rpm	kW / hp	23.2 / 31.1
Power @ 1000 rpm	kW / hp	46.4 / 62.2
Output Shaft Rotation		Opposite to Engine
Approximate Bare Mass	kg / lb	17.0 / 37.4
Mounting Kit		MK1213B
Mounting Gasket		40000206
Seal Kit		SK036G
Bearing Kit		BK036G

Note: For full details refer to the owners manual or the eGuide configurator found at www.hydreco.com/solutions/on-road

Note: Oil fill required for PTO after installation is 1.6L

Doc: PA8503—09/19

POW AUTO

DAVID BROWN
HYDRAULICS

HYDRECO®

HYDRECO
POW AUTO

ADVANCED HYDRAULIC TECHNOLOGIES



www.hydreco.com