

Technical Data Sheet



8600 SERIES POWER TAKE-OFF

SAE 8 Bolt Heavy Duty Side Mounted PTO

The PA8600 series PTO is designed for Eaton/Paccar transmissions with helical gears and an SAE 8 bolt opening on the bottom left.

Gears are hobbled and shaved for closer tolerances and quieter operation. While heavy duty bearings are used throughout.

These PTO's provide high speed, high torque outputs to cover all common applications.

Suits:

Eaton EE-17F111B, EEO-14F112C, EEO-15F112C, EEO-16F112C, EEO-17F112C, EEO-18F112C
Paccar P-17F111B, PO-14F112C, PO-15F112C, PO-16F112C, PO-17F112C, PO-18F112C

Product Features

- **Hobbed & Shaved Gears**
For quieter operation.
- **Viton Seals and O-Rings**
For greater durability at high operating temperatures and with synthetic oils.
- **One Gasket Fitment**
Simple to install, resulting in lower installation costs.
- **Access Hole For Checking Backlash**
For ease of installation.
- **Double O-Ring Seals**
Greater leak protection.
- **Heavy Duty Tapered Roller Bearings**
For high capacity output.
- **Dual Outputs Available**
Allows mounting of a forward facing pump in addition to the rear output.
- **High Start-up Load Capable**
Ideal for use in blower applications.

POWAUTO

DAVID BROWN
HYDRAULICS

HYDRECO®

HYDRECO
POWAUTO

ADVANCED HYDRAULIC TECHNOLOGIES



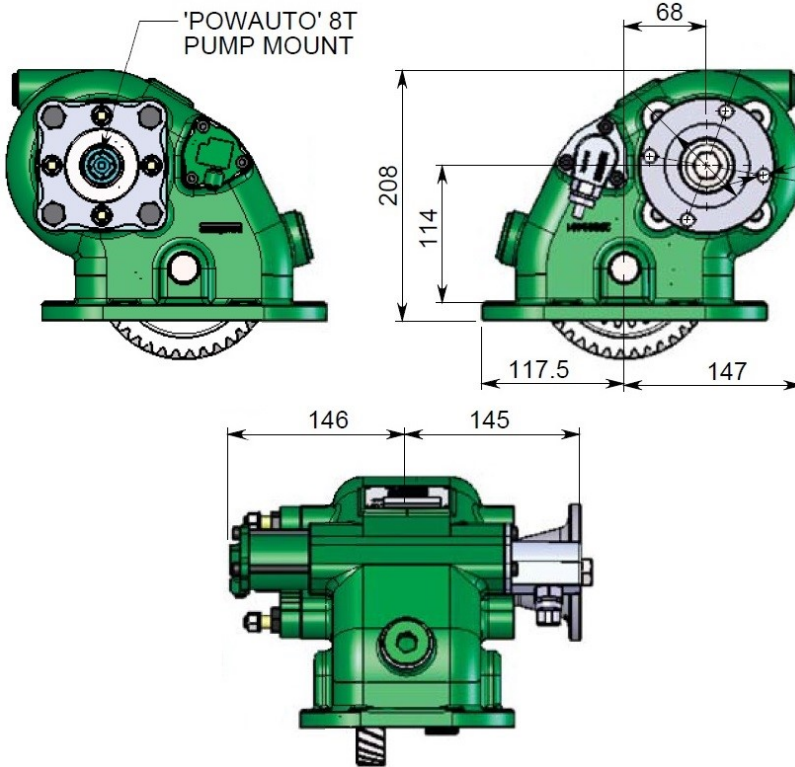
www.hydreco.com

Technical Data Sheet

PTO DESIGNATION CODES

8600 Series

PA 86 02 KA L21 A 28 A



Identifier

PA = PTO Side Mount

PTO Series

8600

Ratio

02 = 105.26%

06 = 137.86%

Other ratios available, subject to MOQ.

Gear Type

KA

Build

L = Left side of transmission

1 = Selector to top / Bias to bottom

2 = Selector to bottom / Bias to top

1 = Centre to front

2 = Centre to rear

(Position of gear in transmission)

Engagement Type

A = Air

Output Type

28 = Dual Output Combination 33/08

33 = 17T 12/24 30° Spline + 1410 Flange

Other outputs available on request, subject to MOQ.

Manufacturers Code

A = With Engagement Switch

Technical Specifications			
Ratings & Service Parts		8602	8606
Torque	Nm (ft.lb)	600 (443)	515 (380) **
Output Speed	% Engine	105.26%	137.86%
Output Shaft Rotation		Opposite to Engine	
Oil Fill Required	L	2.8	
Approximate Bare Mass	kg (lb)	24.0 (52.8)	
Mounting Kit		MK1213B	
Mounting Gasket		40000206	
Seal Kit		SK122	
Bearing Kit		BK122	

** Reduced from 530Nm to not overload the transmission gear.

Note: Oil fill required for PTO after installation is 2.8L

Doc: PA8600—11/19

Note: For full details refer to the owners manual or the eGuide configurator found at www.hydreco.com/solutions/on-road

POWAUTO

DAVID BROWN
HYDRAULICS

HYDRECO®

HYDRECO
POWAUTO
ADVANCED HYDRAULIC TECHNOLOGIES



www.hydreco.com