

HPV1 SERIES

HYDRAULIC PILOT
CONTROL



HYDRAULIC PILOT CONTROL

HPV1C Pilot Control Valves are well established products within the Hydreco Hydraulics range.

The pilot valve, with its single lever dual axis control, is supported by an extensive range of characteristics and handle options which make it suitable for a wide range of both mobile and industrial applications.

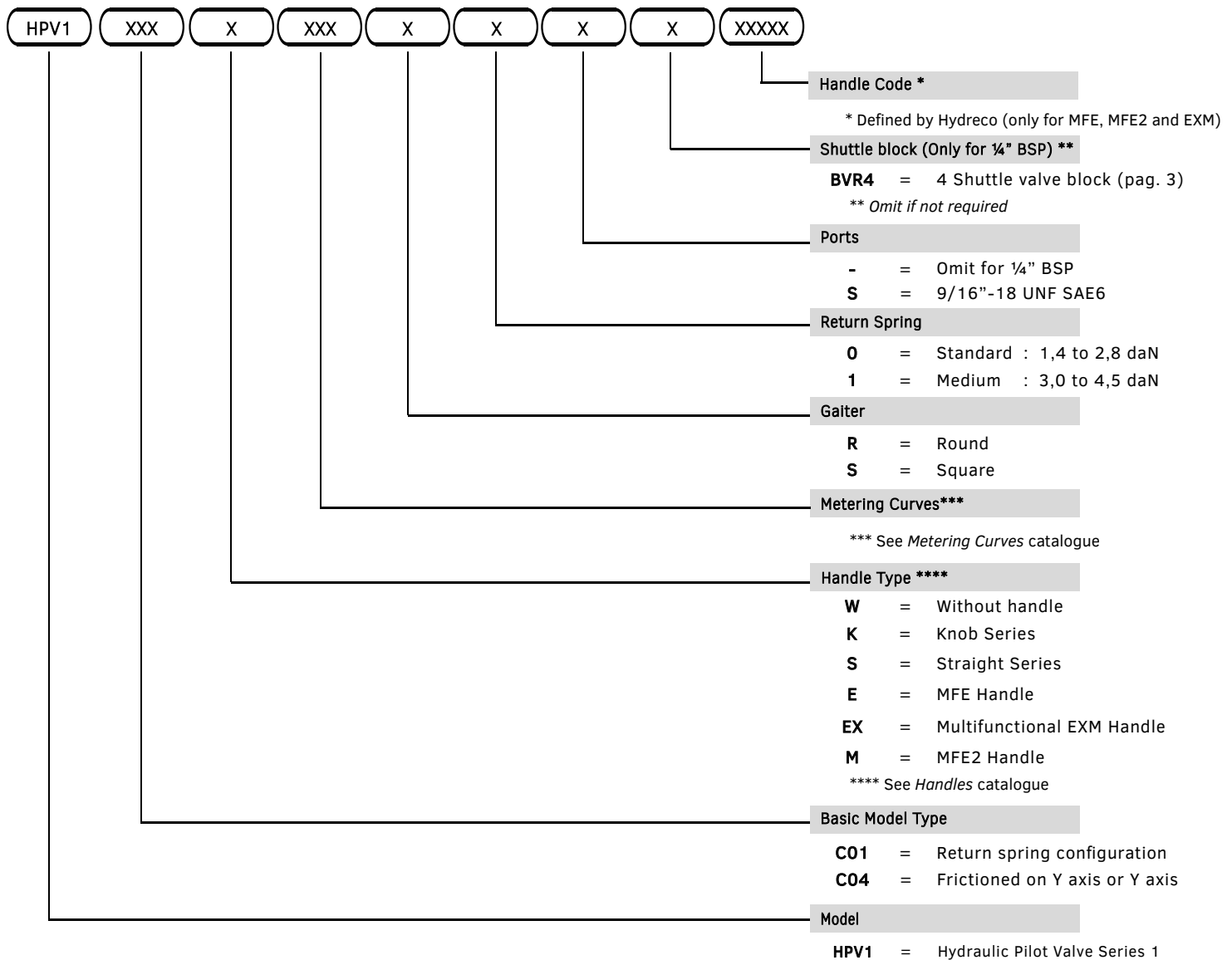
Our engineers can offer special support to optimise this product to suit your application.

BENEFITS

- Compact and lightweight
- All ports on bottom face for easy installation
- Suitable for armrest of console mounting
- Compatible with a wide range of application
- Operator is protected from high temperature components
- Low hysteresis and high accuracy
- Wide range of electrical options in both standard and ergonomic multifunctional handles
- Handily lever control with no effort

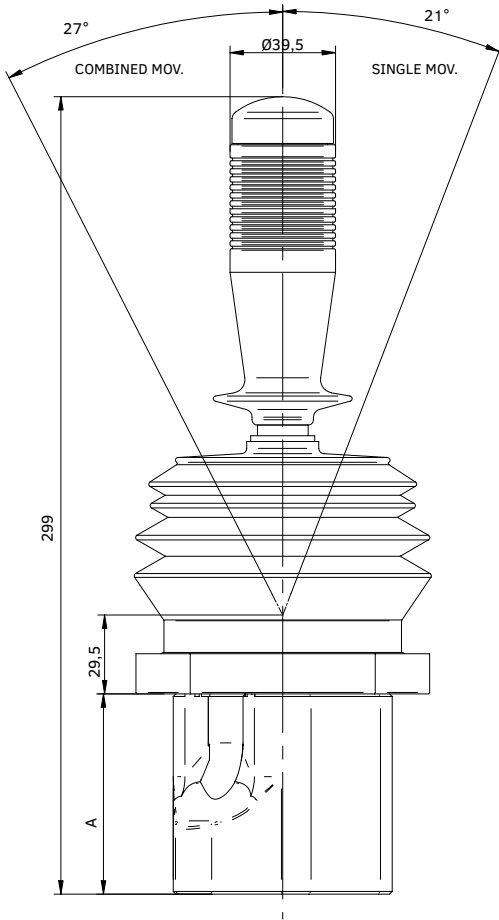
HPV SERIES - MODEL CODING

Hydreco Hydraulics reserves the right to update the information and data contained in this catalogue at any time without notice

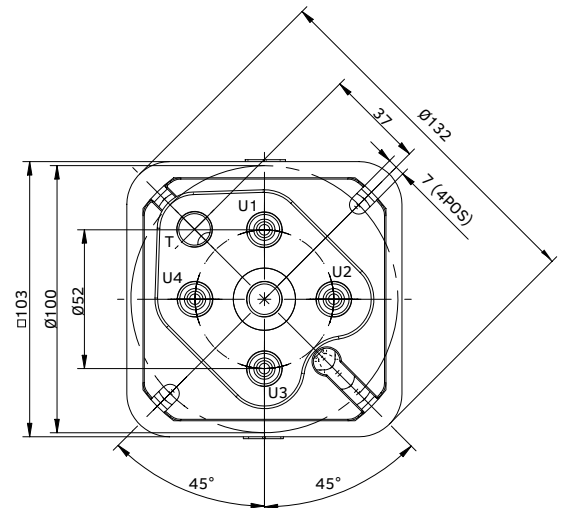
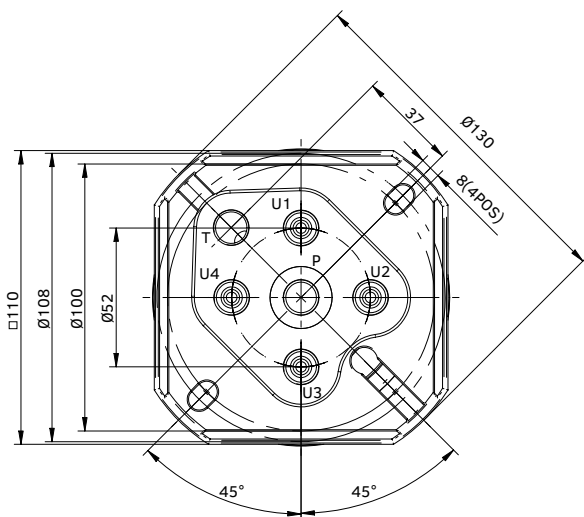
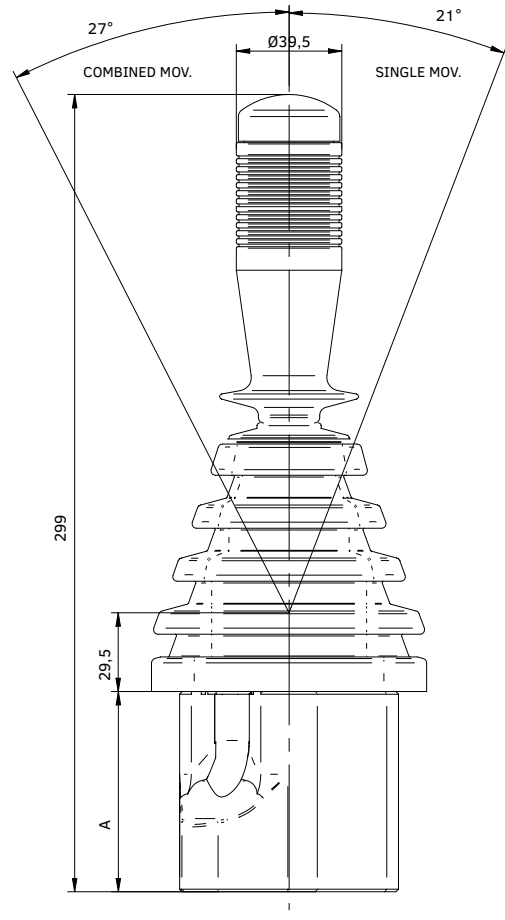


Example: HYDRAULIC PILOT VALVE SERIES 1, MODEL TYPE C01, MFE HANDLE, METERING CURVES 015, SQUARE GAITER, RETURN SPRING 0, MFE HANDLE N. 13383: **HPV1-C01-E-015-S-0-13383**

WITH ROUND GAITER



WITH SQUARE GAITER

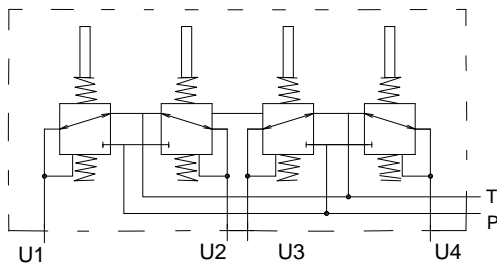


A= 75mm for 1/4" BSP PORTS
 A= 82mm for 9/16"-18 SAE6 PORTS

TECHNICAL FEATURES

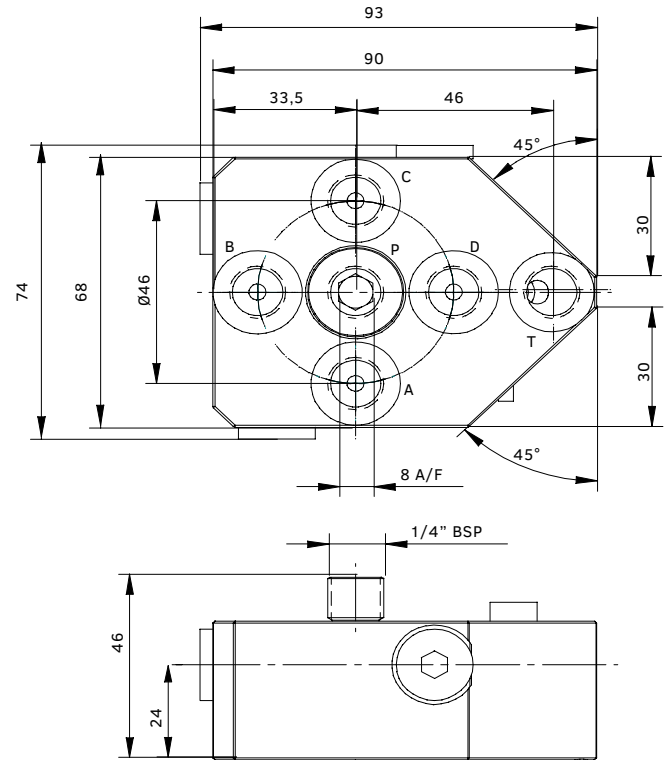
Service ports: P, T, U1, U2, U3, U4; 1/4" BSP
 Maximum inlet pressure: Port P - 50 bar
 Maximum back pressure: Port T - 3 bar
 Supply flow range: From 5 up to 20 litres/min
 Maximum hysteresis: +/- 0.5 bar
 Fluid: Mineral Oils ISO, M and HV
 Contamination class: 20/18/15 ISO 4406/1999
 Fluid temperature range: from -20° to +80° C

HYDRAULIC CIRCUIT DIAGRAM

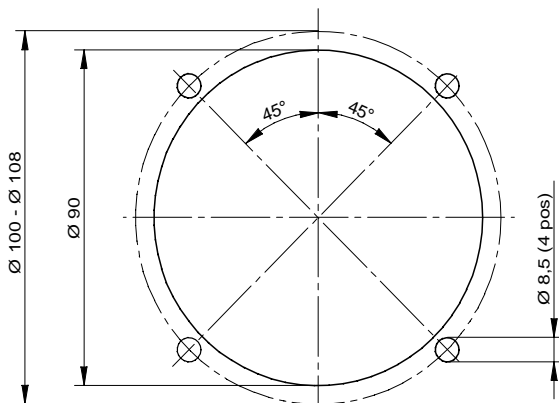


SHUTTLE BLOCK

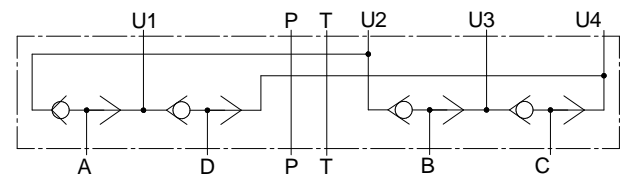
BVR4 Shuttle Block.



INSTALLATION DRAWING



HYDRAULIC CIRCUIT DIAGRAM BVR



Supported by a worldwide network



CONTACT INFORMATION

EMEA

GERMANY	Hydreco Hydraulics GmbH, Straelen (NRW)	☎ +49 283494303-41	✉ info-de@hydreco.com
ITALY	Hydreco Hydraulics Italia Srl, Vignola (MO)	☎ +39 059 7700411	✉ sales-it@hydreco.com
NORWAY	Hydreco Hydraulics Norway AS, Nittedal	☎ +47 22909410	✉ post-no@hydreco.com
UK	Hydreco Hydraulics Ltd, Poole, Dorset	☎ +44 (0) 1202 627500	✉ info-uk@hydreco.com

AMERICAS

USA	Hydreco Inc, Rock Hill (SC)	☎ +1 704 295 7575	✉ sales-us@hydreco.com
LATIN AMERICA		☎ +1 704 572 6266	✉ sales-es@hydreco.com

APAC

AUSTRALIA	Hydreco Hydraulics Pty Ltd, Seven Hills (NSW)	☎ +61 2 9838 6800	✉ sales-au@hydreco.com
AUSTRALIA	Hydreco Hydraulics Pty Ltd, Smeaton Grange (NSW)	☎ +61 2 4647 6577	✉ au-smeatongrange@hydreco.com
AUSTRALIA	Hydreco Hydraulics Pty Ltd, Welshpool (WA)	☎ +61 8 9377 2211	✉ reception-wa@hydreco.com
INDIA	Hydreco Hydraulics India Private Ltd, Bangalore	☎ +91 80 67656300	✉ sales-in@hydreco.com