

Technical Data Sheet



HYDRAULIC OIL TANKS

Hydreco hydraulic tanks are available in a range of capacities and dimensions to suit the most common applications for today's industry.

These tanks are manufactured by world class automated techniques to the highest specification, with every tank subjected to a thorough leak detection test (using helium technology) before being cleaned to standard ISO16232, exceeding market expectations.

Our tanks come complete ready to bolt on to your truck in either side of chassis or rear of cabin mount.

Product Features

- **Baffles are crimped, not welded**
Provides durability under harsh conditions for a longer life than welded baffles.
- **High flow filler breathers fitted**
Longer tank life through high breather capacity and anti splash guard.
- **High flow rotatable return filters**
Ease of mounting reduces fitting time.
- **Aluminium/Plexiglass spy glass'**
More scratch resistant and tougher than available alternatives for a longer service life.
- **"Universal support" on mounting kits**
Multi hole brackets improve fitting time to chassis rails on all vehicles.
- **SS straps used on all tanks**
Reduces costs due to longer service life.
- **Profiled EPDM fixing gaskets**
The material's unique profile improves grip to reduce wear and improve service life.



HYDRECO
a member of **DAIKIN** group

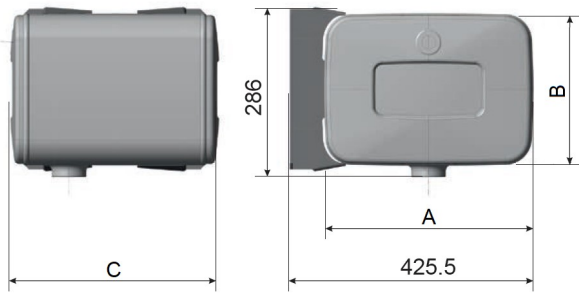


www.hydreco.com

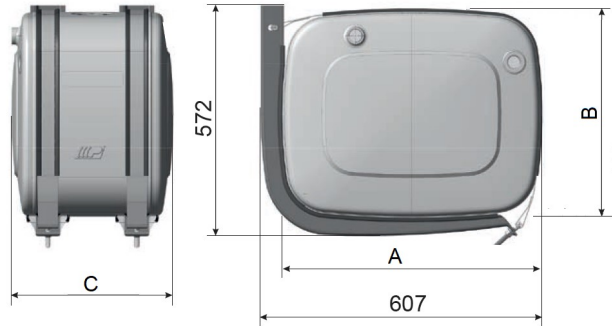
Technical Data Sheet

Part Number	Mass	Part Number	Mass	Dimensions (mm)			Suction Fitting	Return Filter			Bracket	Volume (L)	
				Steel	kg	Aluminium		kg	A	B		C	LPM
Side Mounted													
TKP3626040SF01A	14.2	-----	---	360	260	465	G1¼"	125	G1"	0.9	---	40	33
TKP3626050SF01A	16.2	-----	---	360	260	565	G1¼"	125	G1"	0.9	---	50	40
TKP5444080SF01A	8.1	-----	---	540	440	400	G1¼"	200	G1¼"	1.3	18.0	80	60/71
TKP6450075SF01A	10.2	-----	---	640	500	300	G1¼"	200	G1¼"	1.3	20.0	77	60
TKP6450100SF01A	21.6	TKP6450100SA01A	12.4	640	500	400	G1¼"	200	G1¼"	1.3	20.0	105	83/96
TKP6450120SF01A	23.2	TKP6450120SA01A	13.0	640	500	450	G1¼"	200	G1¼"	1.3	20.0	120	94/110
TKP6450150SF01A	26.8	TKP6450150SA01A	14.6	640	500	550	G1¼"	200	G1¼"	1.3	20.0	148	116/135
TKP6450160SF01A	28.3	TKP6450160SA01A	15.2	640	500	600	G1¼"	200	G1¼"	1.3	20.0	162	128/148
TKP7070200SF01A	32.8	TKP7070200SA01A	16.5	700	700	450	G1¼"	200	G1¼"	1.3	27.0	194	164
TKP7070250SF01A	38.0	TKP7070250SA01A	20.0	700	700	550	G1¼"	250	G1¼"	2.0	27.0	240	203

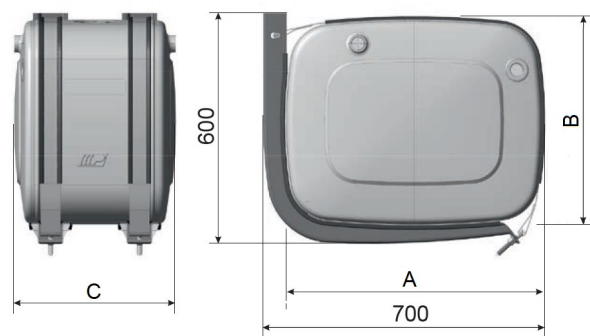
360 x 260 Profile



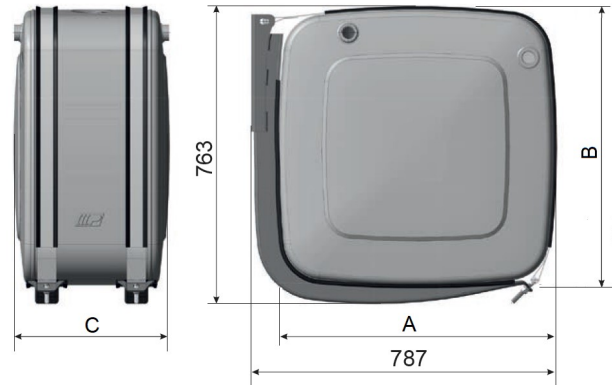
540 x 440 Profile



640 x 500 Profile



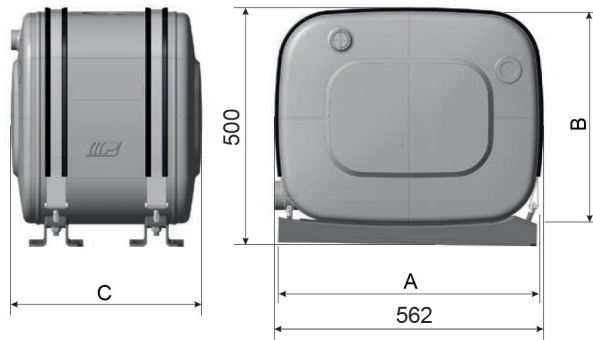
700 x 700 Profile



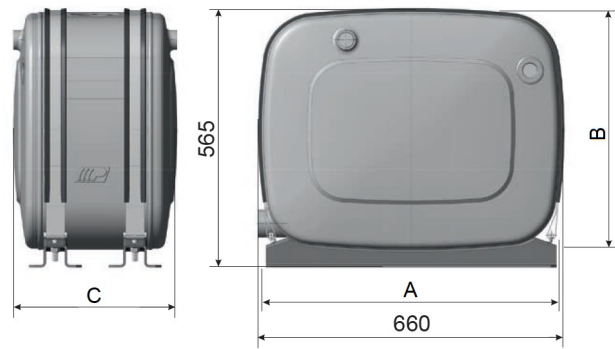
Technical Data Sheet

Part Number	Mass	Part Number	Mass	Dimensions (mm)			Suction Fitting	Return Filter			Bracket	Volume (L)	
				Steel	kg	Aluminium		kg	A	B		C	LPM
Rear Mounted													
TKP6450100RF01A	21.6	TKP6450100RA01A	12.4	640	500	400	G1¼"	200	G1¼"	1.3	13.0	105	83/96
TKP6450120RF01A	23.2	TKP6450120RA01A	13.0	640	500	450	G1¼"	200	G1¼"	1.3	13.0	120	94/110
TKP6450150RF01A	26.8	TKP6450150RA01A	14.6	640	500	550	G1¼"	200	G1¼"	1.3	13.0	148	116/135
TKP6450160RF01A	28.3	TKP6450160RA01A	15.2	640	500	600	G1¼"	200	G1¼"	1.3	13.0	162	128/148
TKP7070200RF01A	32.8	TKP7070200RA01A	16.5	700	700	450	G1¼"	200	G1¼"	1.3	18.0	194	164
TKP7070250RF01A	38.0	TKP7070250RA01A	20.0	700	700	550	G1¼"	250	G1¼"	2.0	18.0	240	203
TKP2764110RF01A	31	TKP2764110RA01A	19	270	638	700	G1¼"	200	G1¼"	1.3	Included	108	99
TKP2764135RF01A	35.2	TKP2764135RA01A	20	270	638	860	G1¼"	200	G1¼"	1.3	Included	135	123
TKP2764180RF01A	44.8	TKP2764180RA01A	23.4	270	638	1150	G1¼"	250	G1¼"	2.0	Included	180	165
TKP2764200RF01A	49.2	TKP2764200RA01A	25.2	270	638	1260	G1¼"	250	G1¼"	2.0	Included	200	182

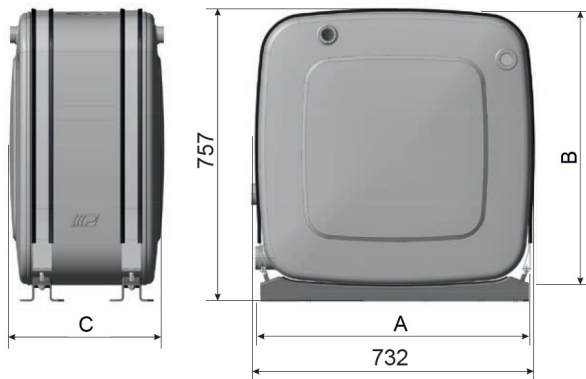
540 x 440 Profile



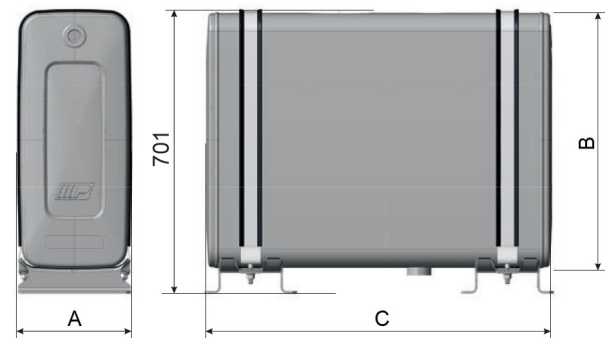
640 x 500 Profile



700 x 700 Profile



270 x 640 Profile

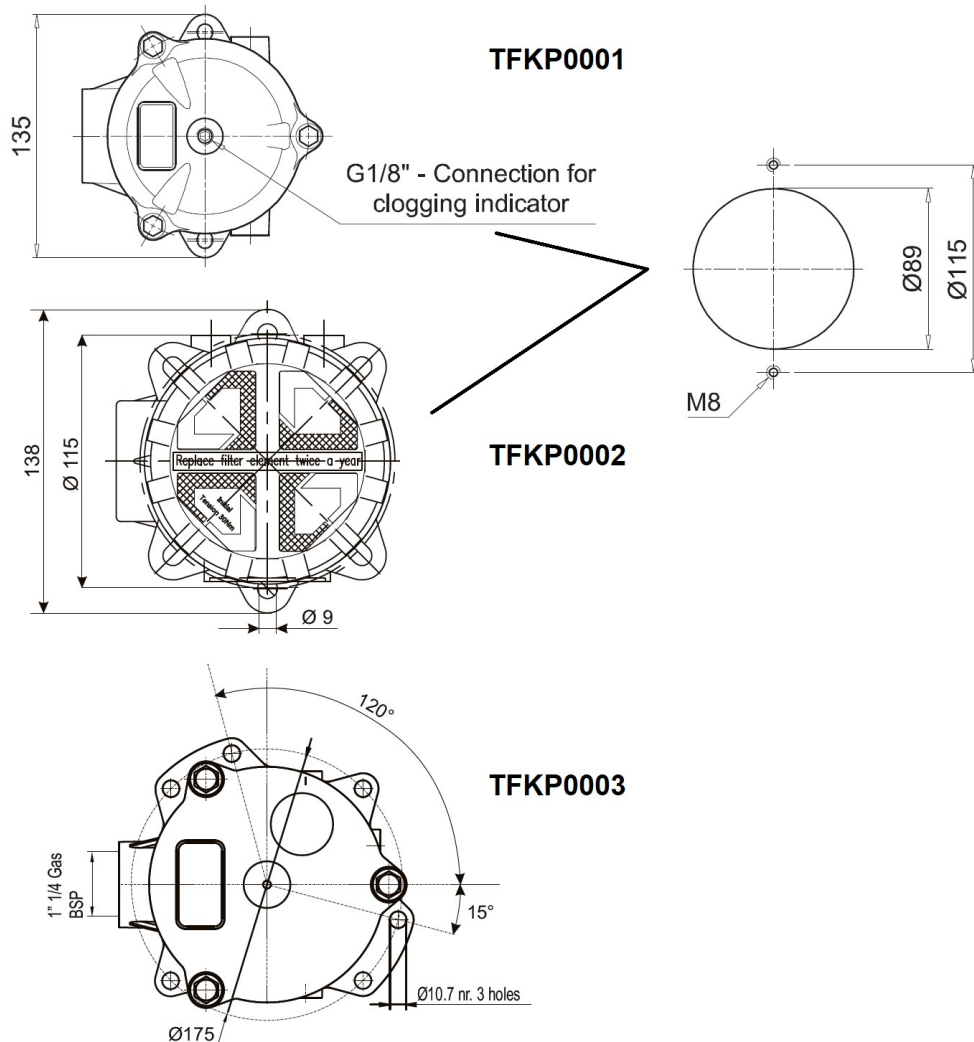


Technical Data Sheet

Replacement Mount Kit	Part Number	Description		Part Number	Description
540 x 440 Profile Tank	TMKP0004	Side Mounting Kit 44/54			
640 x 500 Profile Tank	TMKP0002	Side Mounting Kit 50/64		TMKP0005	Rear Mounting Kit 50/64
700 x 630 Profile Tank	TMKP0001	Side Mounting Kit 63/70		TMKP0007	Rear Mounting Kit 63/70
700 x 700 Profile Tank	TMKP0003	Side Mounting Kit 70/70		TMKP0006	Rear Mounting Kit 70/70

Replacement Component	Part Number	Description	Flange	Part Number	Description
Filter Assy - 125LPM	TFKP0001	Return Filter - 40 & 50L Tanks	115mm	TSP0001	21µ Element for TFKP0001
Filter Assy - 250LPM	TFKP0002	Return Filter	135mm	TSP0002	21µ Element for TFKP0002
Filter Assy - 300LPM	TFKP0003	Return Filter - See note below	195mm	TSP0003	21µ Element for TFKP0003
Filler Breather - 1800LPM	TSP0004	Filler Breather Assy - Rear mnt		TSP0005	10µ Element for TSP0004
Filler Breather - 1450LPM	TSP0006	Filler Breather Assy - Side mnt		TSP0007	10µ Element for TSP0006

Note: 250L side mounted and 180 & 200L rear mounted tanks come fitted as standard with a high flow return filter. Quoted flow figures are with WG46 oil and a 0.19 bar pressure drop at 40°C using a 21µ microfiber element.



Doc: OIL TANK—05/23



HYDRECO
a member of **DAIKIN** group

www.hydreco.com